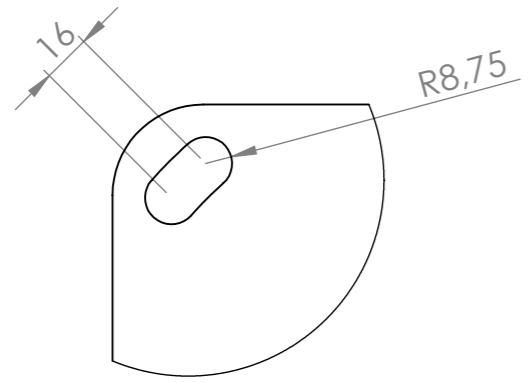


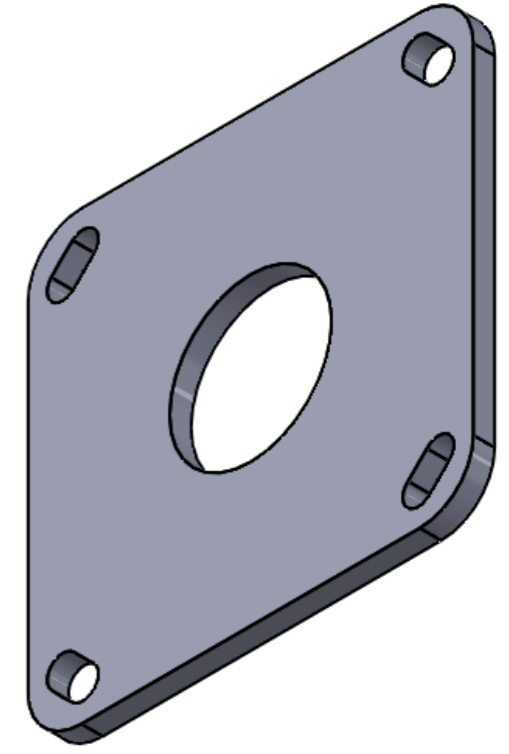
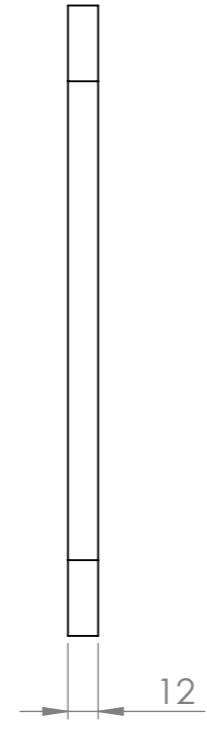
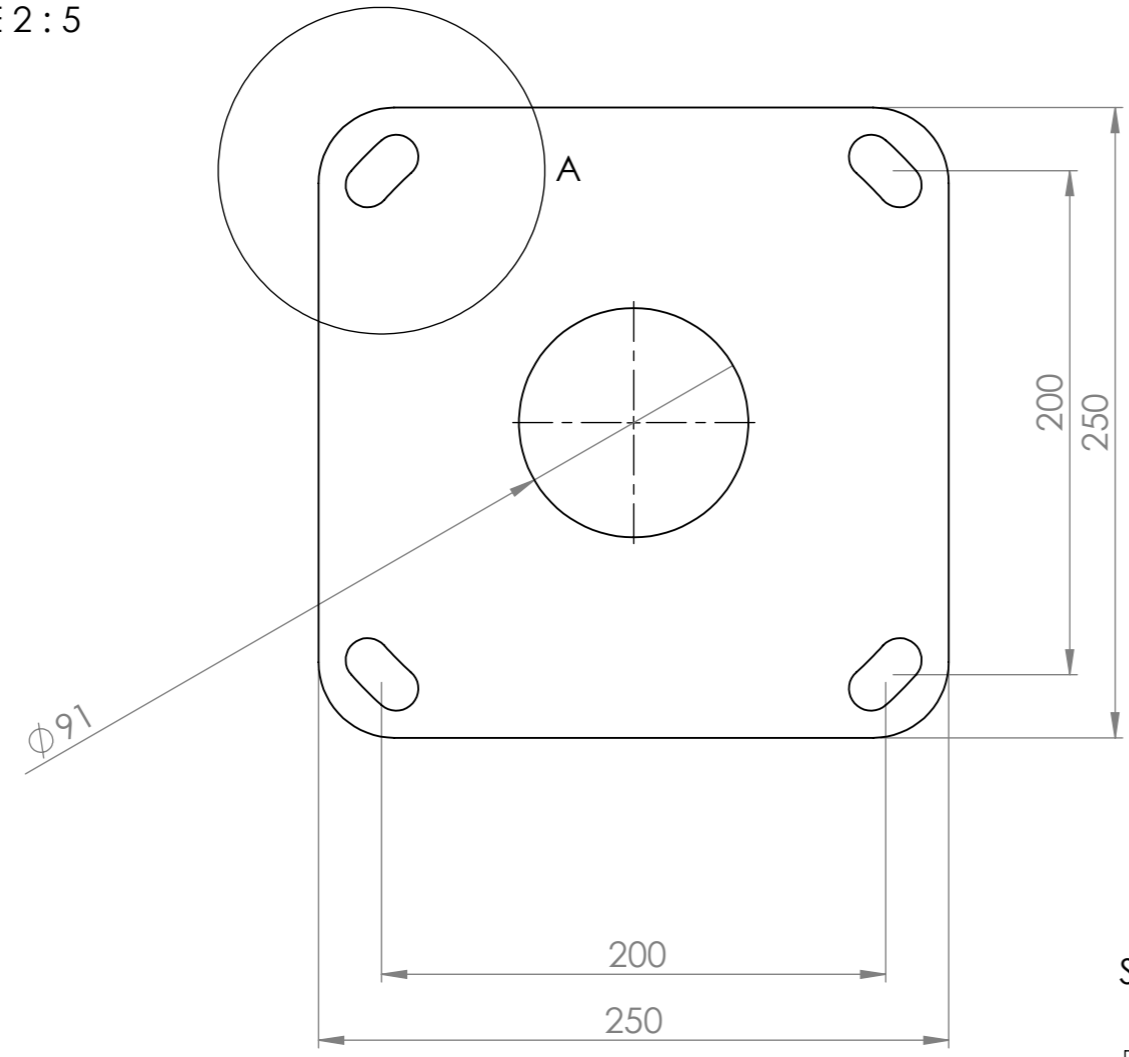
1 2 3 4 5 6 7 8

A
B
C
D
E
F

A
B
C
D
E
F



DETAIL A
SCALE 2 : 5



Skarpa kanter bryts.

ITEM NO.	PART NUMBER	DESCRIPTION			QTY.
1	300F fotplatta	S235, 12mm			1
Konstruerad Av	Ritad Av	Skapad Datum	Godkänd Av	Generell Tolerans	Skala
		2015-12-14		SS ISO 2768-m	1:3
Status	Titel / Benämning				
Agare	300F fotplatta				
Formenta				Artikel Nr	Blad
				300F fotplatta	1 (1)

This document must not be copied without our written permission, and the contents thereof must not be imparted to a third party nor be used for any unauthorized purpose. Contravention will be prosecuted.

1 2 3 4 5 6 7 8