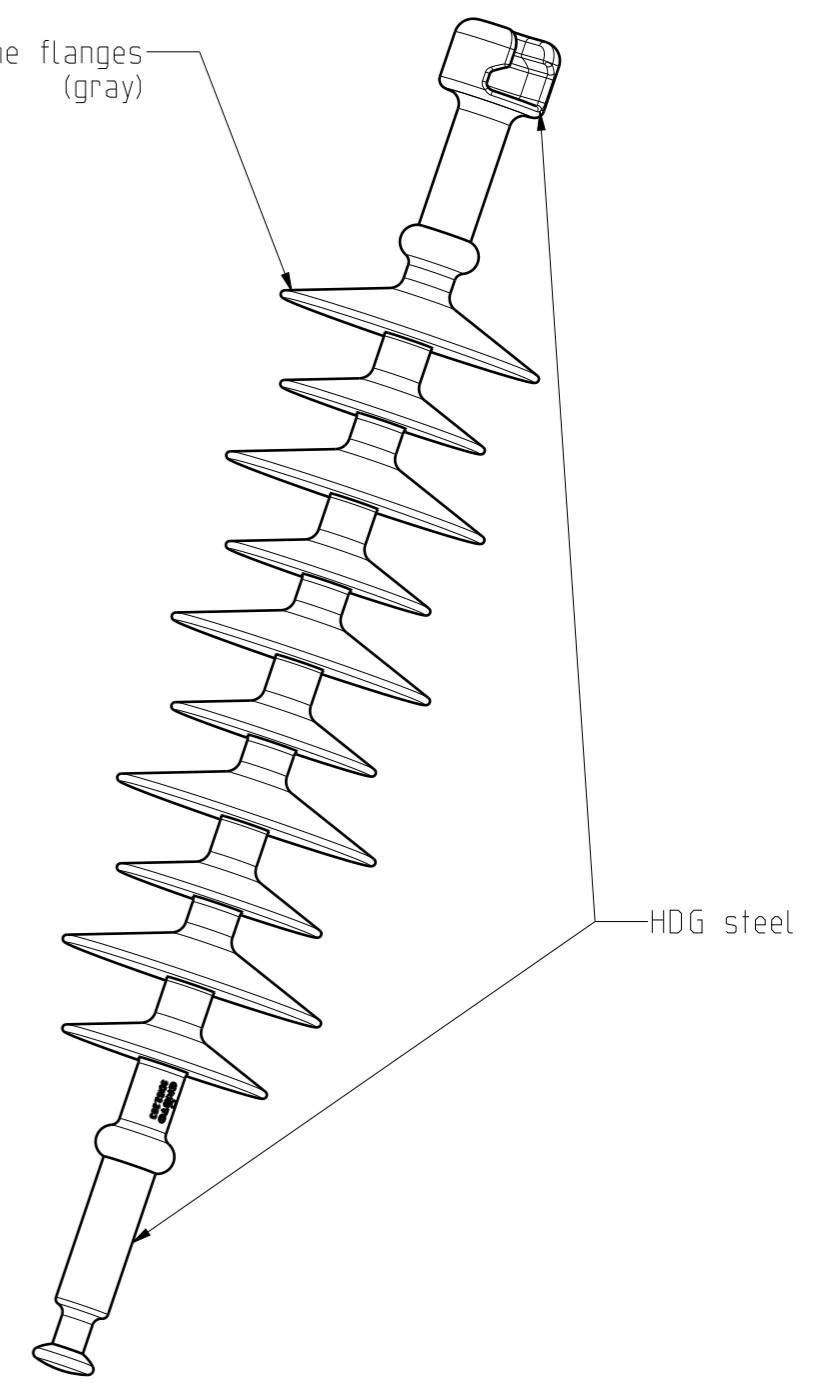


Silicone flanges (gray)



Product Specification	
Dimensions	
Section length	725 +/- 15mm
Electrical values	
Rated voltage	52 kV
Lightning impulse withstand voltage	250 kV
1 minute power frequency withstand voltage - wet	95 kV
Min. creepage distance	1280 mm
Mechanical	
Failure load (tensile)	120 kN
Standard: IEC 61109	

ENSTO Ensto Finland Oy Ensto DSO		
Scale 1:4 A3	Date 29.03.21 By KGa Checked Ctrl	
Sheet No: 2 (2)		

Product specification sheet Composite Line Post insulator Ball socket, 52kV

Replaces:	
Replaced:	
Ref:	1879222 A
Code:	SD152.283