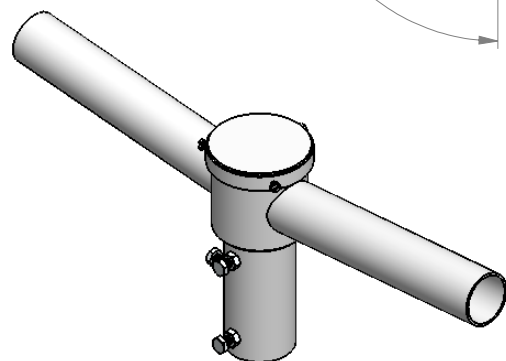



DETAIL A
SCALE 1 : 1



VIEW
SCALE 1 : 8

Skarpa kanter brutna

Ritad av: MM	Datum: 2015-06-29	Godk. av: SA	Godk./Datum: 2015-07-02	Material:	Status: Released	Vikt: 4.72 kg	Tolerans: ISO 2768-1 c	Skala: 1:5
					Benämning: KRONA 2A L300 D60 T60 (montage utanpå rör)		Format: A4	
Ritningsnr: 7781950							Rev: A	Blad: 1/1

This drawing and all oppurtenant matter shall remain the company Mora Mast AB property. They shall not without our written permission, either in their original state or with any changes be copied or manifolded, shown to or in any other way communicated to or handed over to any part.