

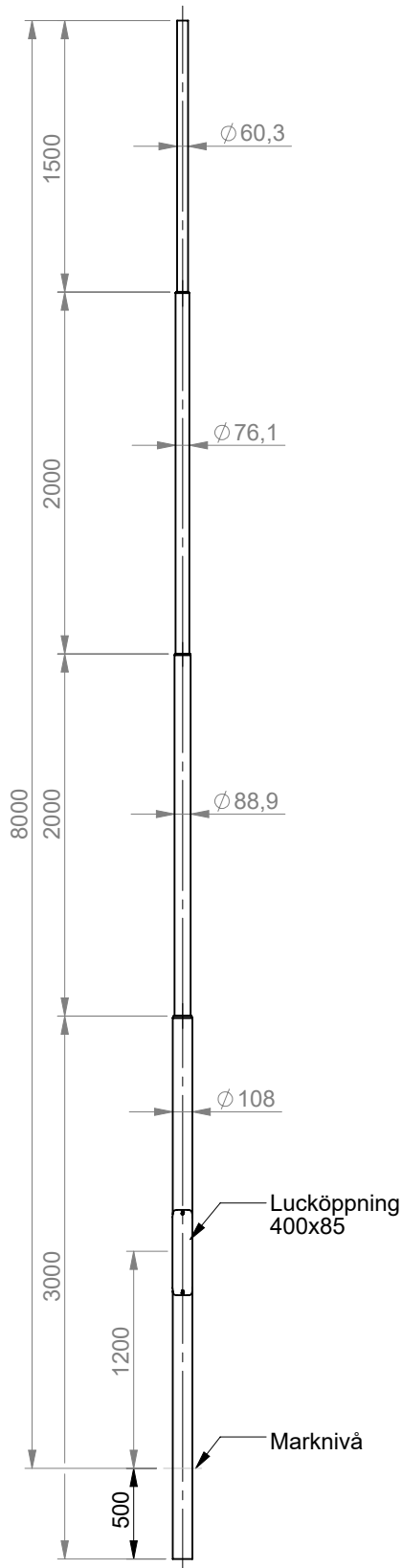
1

2

3

4

A



B


C

D

E



Skarpa kanter brutna

F	Ritad av:	Datum:	Godk. av:	Godk./Datum:	Material:	Status:	Vikt:	Tolerans:	Skala:				
	RT	2014-03-21	SA	2017-03-17		Released	53.07 kg	ISO 2768-1 c	1:40				
						Benämning: MMSH80 E0		Format: A4					
This drawing and all oppurtenant matter shall remain the company Mora Mast AB property. They shall not without our written permission, either in their original state or with any changes be copied or manifolded, shown to or in any other way communicated to or handed over to any part.								Ritningsnr: 7780722		Rev: B		Blad: 1/1	