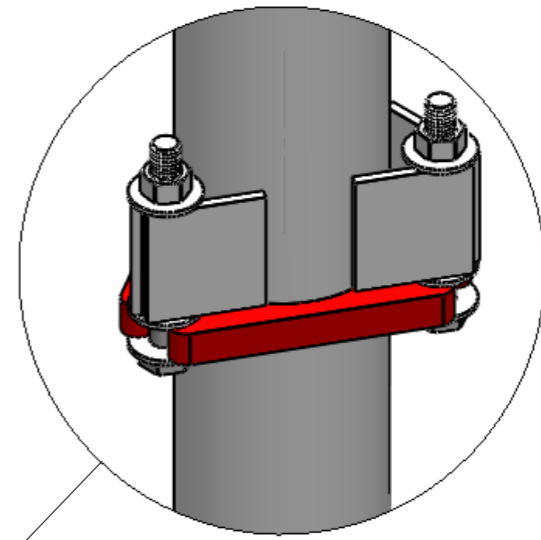
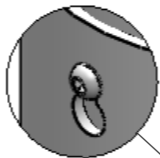


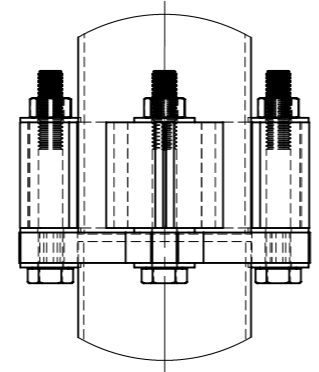
DETAIL E
SCALE 1 : 2



DETAIL A
SCALE 1 : 4



DETAIL B
SCALE 1 : 2



DETAIL C
SCALE 1 : 5

M16 skruvar momentdras 130Nm efter färdig stolpe

Ritad av: MM	Datum: 2015-08-26	Godk. av: SA	Godk./Datum: 2015-08-26	Material:	Status: Released	Vikt: 81.26 kg	Tolerans: ISO 2768-1 c	Skala: 1:30
Skarpa kanter brutna					Benämning: MMSH70 D20 G2		Format: A3	
					Ritningsnr: 7775111		Blad: 1/1	
					Rev: A			

This drawing and all appurtenant matter shall remain the property of Mora Mast AB. They shall not be copied or otherwise reproduced, either in their original state or with any changes be copied or manifolded, shown to or in any other way communicated to or handed over to any party.

