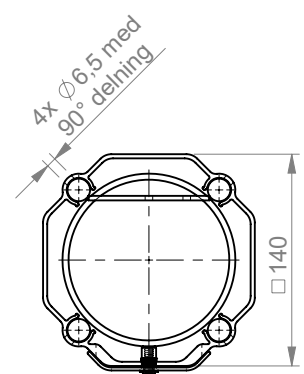
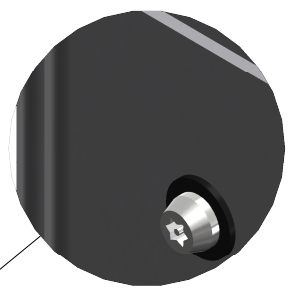


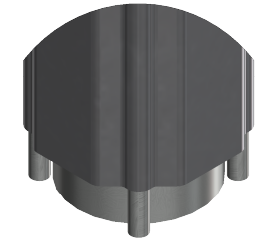
DETAIL D
SCALE 1 : 5



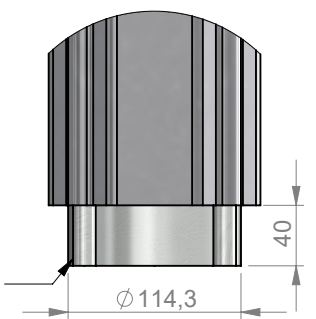
TOP VIEW
SCALE 1 : 5



DETAIL H
SCALE 1 : 1



DETAIL E
SCALE 1 : 5



DETAIL A
SCALE 1 : 5

Lucköppning
400x70

Stänger limmas
i ALU-profil

Skarpa kanter brutna

| | | | | | | | | |
|--|----------------------|-----------|--------------|-----------|------------------------|-------------------|---------------------------|----------------|
| Ritad av: MM | Datum: 2018-01-10 | Godk. av: | Godk./Datum: | Material: | Status: Draft | Vikt: 61,41 kg | Tolerans: ISO 2768-1 c | Skala: 1:50 |
| | | | | | Benämning: MSX80 LE | Rev: A+ | | Format: A4 |
| <small>This drawing and all oppurtenant matter shall remain the company Mora Mast AB property. They shall not without our written permission, either in their original state or with any changes be copied or manifolded, shown to or in any other way communicated to or handed over to any part.</small> | | | | | Ritningsnr: 7775070 | | | Blad: 1/1 |