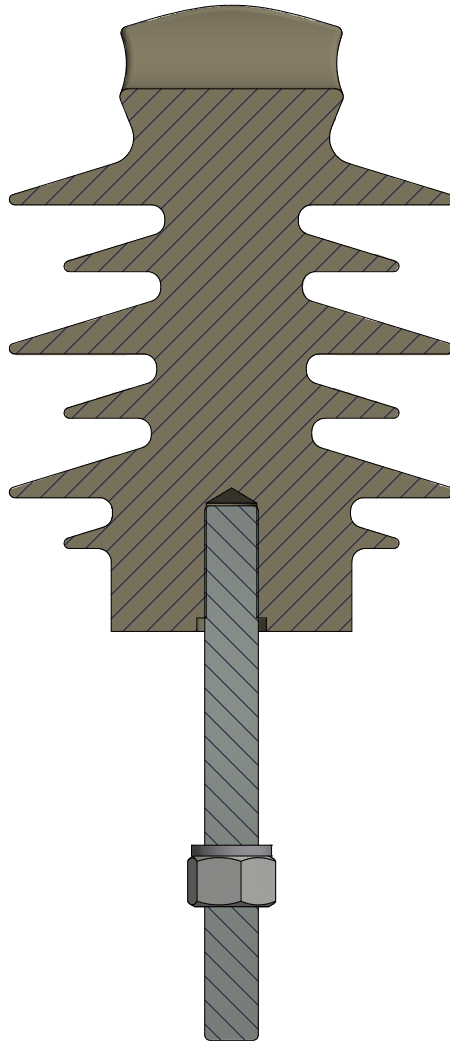
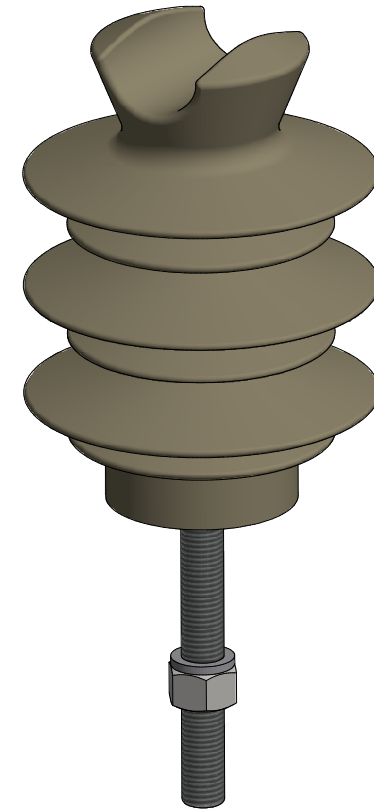


B-B (1 : 2)



Shed material	Cychlo epoxy resin
Weight	3,4kg
Specified cantilever load	12,5kN
Creepage distance	580mm
Impulse withstand voltage	125kV
Power frequency voltage 1 min wet	50kV
Rated voltage	24kV
Characteristic	Value
Technical Characteristics	



Konstruerad av/Designed by Fredrik Karlsson	Datum/Date 2011-09-16	Vikt/Weight N/A	Material/Material N/A	Ytbeh/Surf. Trea. N/A
GEVEEA		Stödisolator		Ritnings Nr/Drawing Nr 9651
		24kV 12,5kN		Skala/Scale 1:2
			Version/Revision A	

© AB GEVEA
Box 12043
60012 Norrköping
SWEDEN
Tel. +46 11 184800
Fax. +46 11 182350
WWW.GEVEA.COM