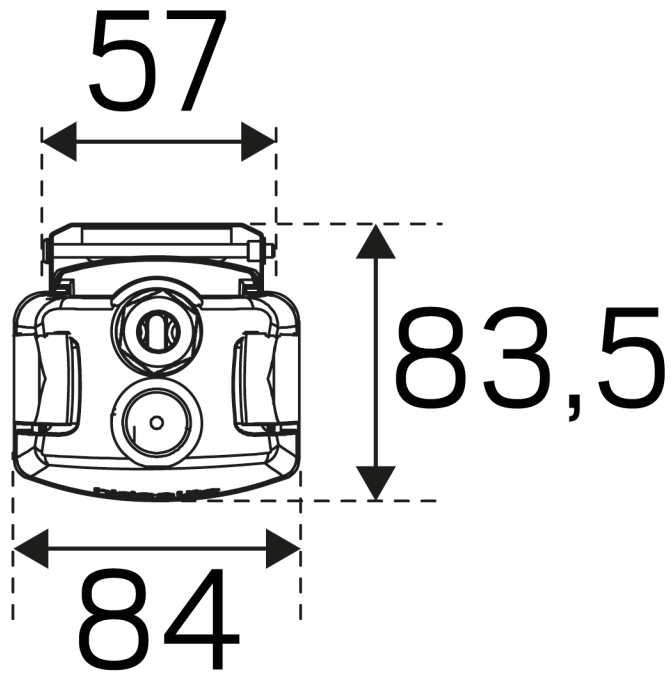


(mm)



1345/1625

A technical drawing of a long cylindrical component, possibly a lens or a sensor housing, shown in a perspective view. The component has a central lens or opening. A break in the middle is indicated by two parallel diagonal lines. A dimension of 1345/1625 mm is indicated with a double-headed arrow and dashed lines, representing the length of the component.

1494/1774

A technical drawing of a long cylindrical component, possibly a lens or a sensor housing, shown in a perspective view. The component has a central lens or opening. A break in the middle is indicated by two parallel diagonal lines. A dimension of 1494/1774 mm is indicated with a double-headed arrow and dashed lines, representing the length of the component.