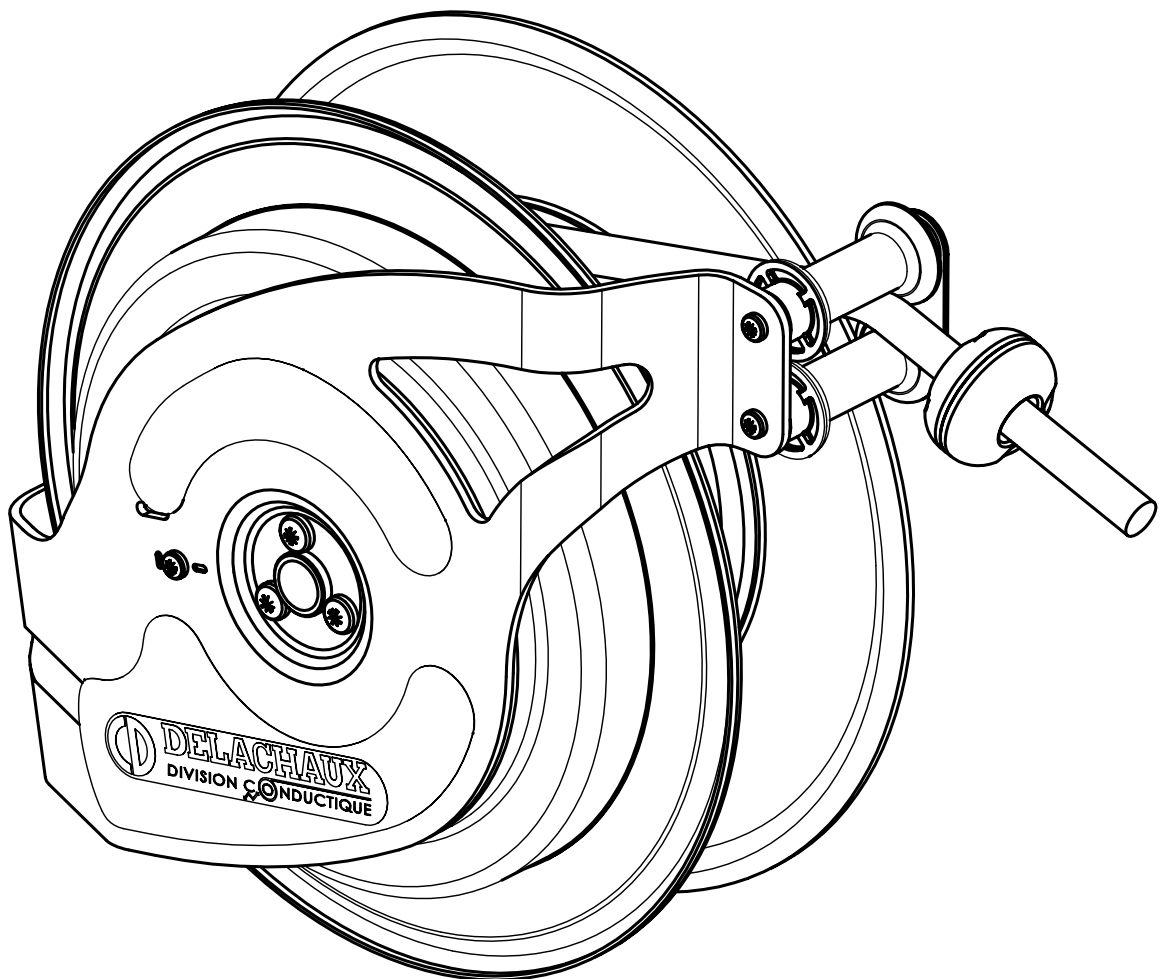


EXTENSION REEL **L02K**



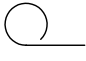
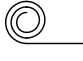
INSTRUCTION
MANUAL

INSTALLATION
START OF THE SPRING REEL
MAINTENANCE
EC DECLARATION OF CE MARK
SPARE PARTS

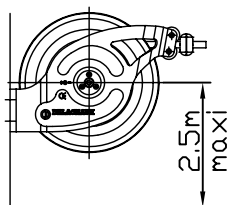
Extension spring retractable cable reels fitted with ratchet for manual use.
Fitted with:

- Cable length in accordance with the chart.
- One meter of cable tail for connection.
- An internal ratchet mechanism.

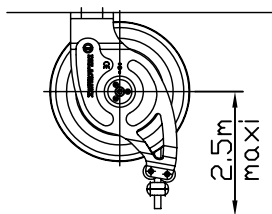
slipping information	
current max:	I max=16A S=100%
using voltage:	U=500V AC U=220V DC
insulation voltage:	U=2000V
speed maxi:	Nmax=50tr/min

type of reel	Cable				
	Type	Section mm ²	ø mm		
LO2K 031512 RN	H07 RNF	3G1.5	10.5	12m	12 A
LO2K 041512 RN	H07 RNF	4G1.5	11.5	12m	12 A
LO2K 051512 RN	H07 RNF	5G1.5	13	12m	12 A
LO2K 032512 RN	H07 RNF	3G2.5	12.5	12m	16 A
LO2K 042510 RN	H07 RNF	4G2.5	13.5	10m	16 A

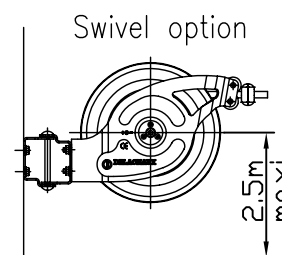
INSTALLATION



Wall mounting



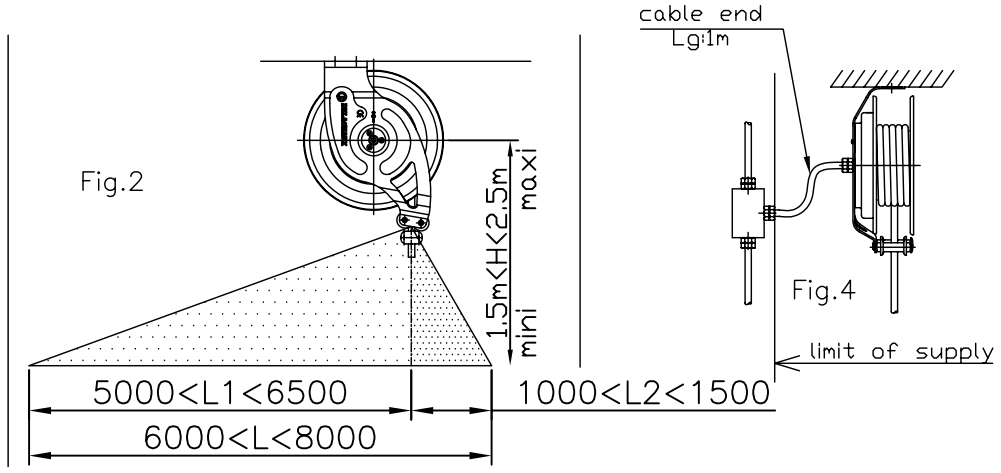
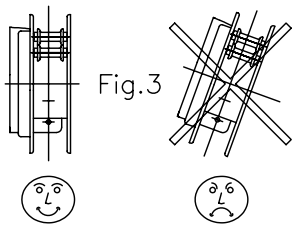
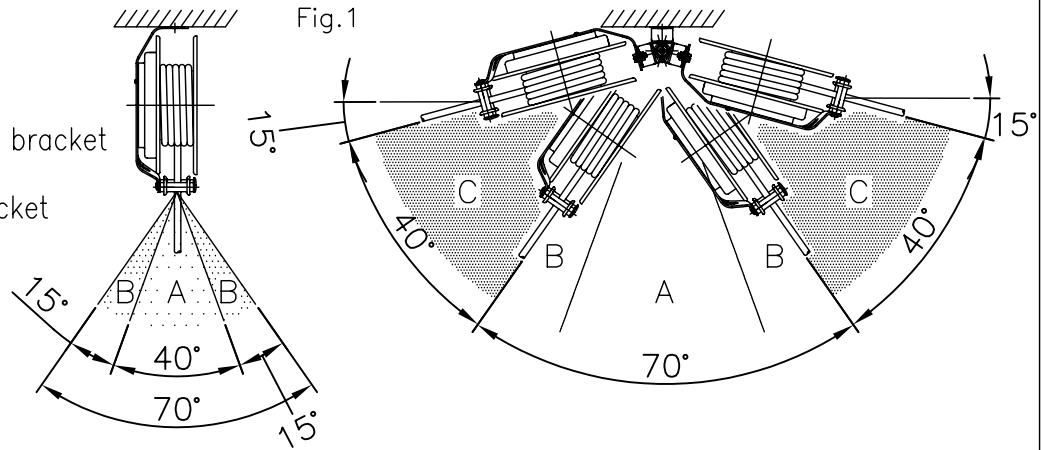
Ceiling mounting



Swivel option
Wall mounting

- The cable must be pulled from the reel at 90° to the mounting bracket. (Fig. 2)
- The fixation is determined according to the use of the reel : see Fig.1 for a wall mounting or Fig.2 for a ceiling mounting.
- It is recommended to fasten the reel to the wall using two M8 bolts. (not supplied)
The swivel bracket is an optional extra.
- In a vertical installation it is important to install the reel using a level (Fig. 1)
- The cable tail for connection must be flexible (Fig. 3)
- Check that your electrical installation is fitted with a proper safety device.
- Check that the spring reel is compatible with your application.

Area A	fixed support
Area B	recommended swivel bracket
Area C	obligatory swivel bracket



START OF THE SPRING REEL

This equipment is not designed to be used in EXplosive ATmospheres (ATEX) in accordance with definition in directive 1999/92/CE dated 16 december 1999.

To engage the ratchet it is necessary to pull the cable until the ratchet noise is heard, releasing the cable slightly will engage the ratchet.

To disengage the ratchet, it is necessary to pull the cable until the ratchet noise.

Disappears releasing the pressure will automatically return the cable into the reel.



Only use by competent person



To avoid accidents it is advisable to hold the cable when it is automatically returning into the reel.

MAINTENANCE




The power on the reel must be switch off before any maintenance.

The tension on the spring must be removed before dismantling the reel.
To do this you must remove the cable stop, holding the cable will control the removal of the tension.

PROBLEMS	REASONS	SOLUTIONS
Collector and cable overheating	Overtaking characteristics of spring reel.	Respect to the maximum performances of this spring reel.
The current is switch off	Electrical cable damage Collector short-circuit Defectives connections upstream of or downstream of the spring reel or on the spring reel.	Replace cable * Check use in relation to the characteristics. Replace collector * Check connections
Reel locked	ratchet malfunction	The ratchet can be released with a tool through hole (D) in side of bracket.
Ratchet inoperative	Ratchet spring damaged	Replace ratchet *
Automatic rewing inoperative	Reel locked Spring damaged	See above Replace spring *
* See drawing		

Re-assembly of the reel after replacement of cable or spring.

- Wind cable around the reel without twisting.
- When all cable is on the reel, turn the reel  full turns putting tension on the spring
- Enter the cable through roller and fit cable stop.

EC DECLARATION OF CE MARK

The undersigned manufacturer :

Sté DELACHAUX – 30 Avenue Brillat Savarin – 01300 Belley – FRANCE

declares that the original equipment referred to below :

extension reel L02K

is in conformity with the regulations defined in the European directive 98/37/CE.

Place : Belley Date : 21/10/04

Name and position of Signatory :

B. FONTENEAU

Industrialization and research department manager

ENERGY Division

Signature :

SPARE PARTS

Parts are supplied in kit form.

Item	Référence	Désignation
1	Kit 34K1001	S/Ass roller box
2	Kit 34K1012	S/Ass ratchet
3	Kit 34K1003/1	S/Ass cable + S/Ass cable stop + S/Ass gland.
3	Kit 34K1003/2	S/Ass cable + S/Ass cable stop + S/Ass gland.
3	Kit 34K1003/3	S/Ass cable + S/Ass cable stop + S/Ass gland.
3	Kit 34K1003/4	S/Ass cable + S/Ass cable stop + S/Ass gland.
3	Kit 34K1003/5	S/Ass cable + S/Ass cable stop + S/Ass gland.
4	3 3 6C5004/2	S/Ass Collector.
4	3 3 6C5004/3	S/Ass Collector.
4	3 3 6C5004/4	S/Ass Collector.
5	Kit 34K1005	S/Ass spring + S/Ass spring and ratchet housing.
6	Kit 34K1007	S/Ass reel + S/Ass slipping housing + S/Ass hub.
7	Kit 34K1009	S/Ass bracket.
8	3 3 A50155	S/Ass shaft.

L02K 031512 RN	L02K 041512 RN	L02K 051512 RN	L02K 032512 RN	L02K 042510 RN
5				
	5			
		5		
			5	
				7

