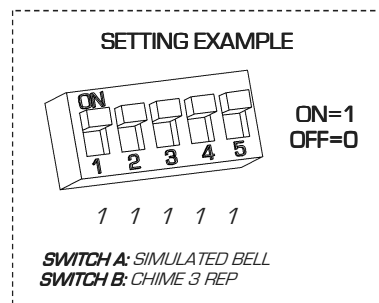
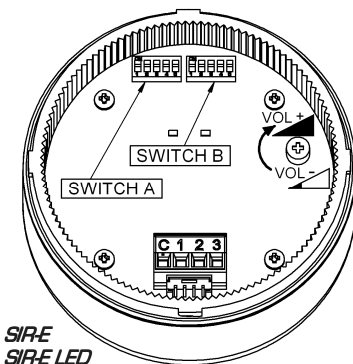


ATTENZIONE	Assicurarsi di togliere tensione prima di intervenire sul prodotto
WARNING	Disconnected power supply before making any intervention on the device
ATTENTION	S'assurer d'avoir coupé l'alimentation avant d'intervenir sur le produit
ACHTUNG	Vor Öffnen des Gerätes dieses spannungsfrei schalten
ADVERTENCIA	Desconectar la tensión eléctrica antes de trabajar en el equipo

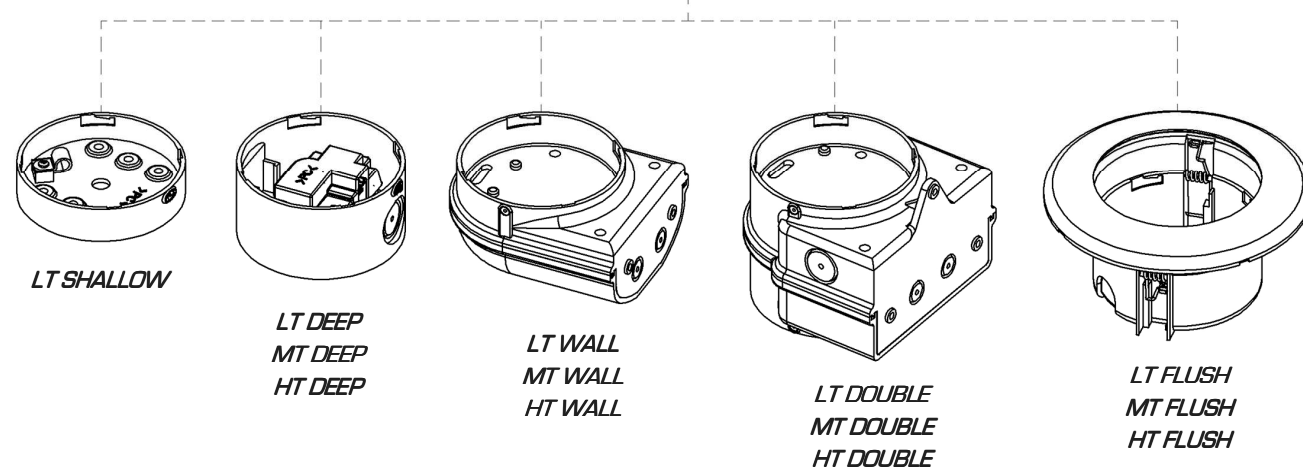
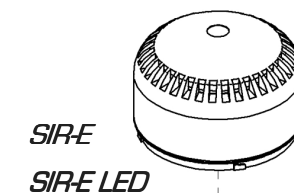


SIRENA s.p.a.

M LINE | SIR-E
M LINE | SIR-E LED

IP 65

- ISTRUZIONI DI INSTALLAZIONE E UTILIZZO - INSTALLATION AND APPLICATION INSTRUCTIONS -
- INSTRUCTIONS D'INSTALLATION ET D'UTILISATION - INSTALLATIONS- UND BEDIENTUNGSANLEITUNG -
- INSTRUCCIONES DE INSTALACIÓN Y EMPLEO -

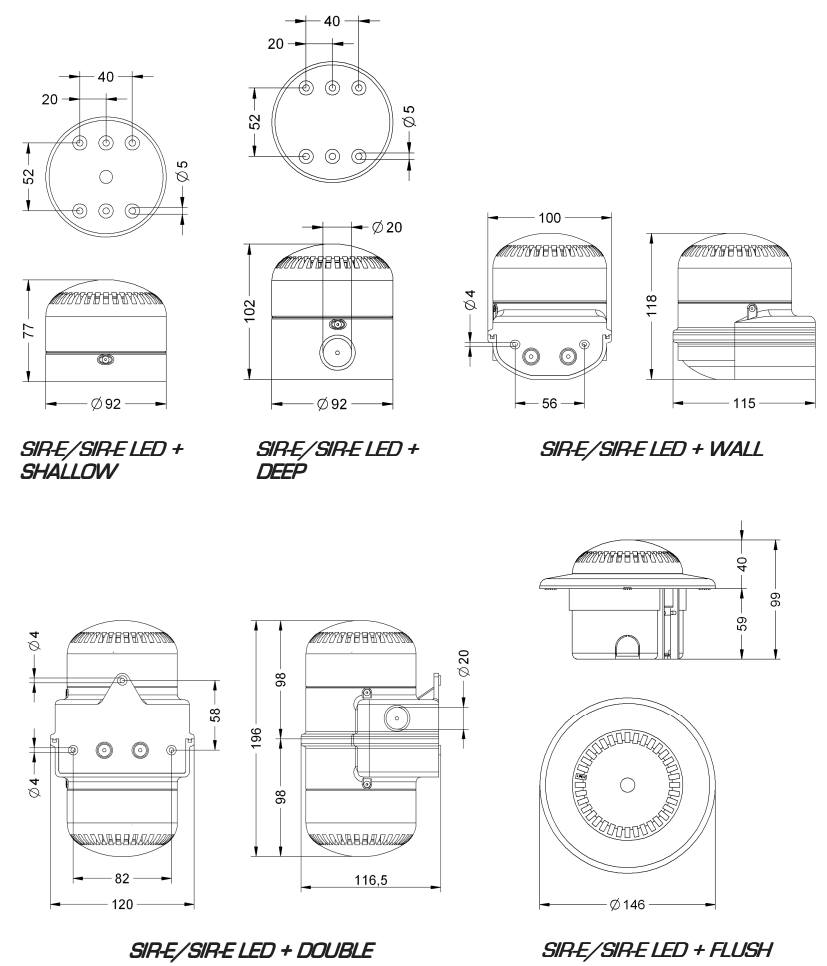


A

SWITCH A SOUNDS						
N°	STONE	STONE TYPE	F(Hz)	TIMES	DESCRIPTION	DIP SWITCH
1	BI-TONE		600 - 700	0.5s/0.5s	STANDARD	0 0 0 0 0
2	MULTI-TONE		1000 - 1700	CICLE 0.25s	STANDARD	1 0 0 0 0
3	MODULATED		1000 - 1700	CICLE 0.8s	STANDARD	0 1 0 0 0
4	BI-TONE		440 - 560	565s/565s	STANDARD - EVACUATION	1 1 0 0 0
5	LINEAR		300	-	GENERAL PURPOSE	0 0 1 0 0
6	LINEAR		660	-	SWEDISH (ALL CLEAR)	1 0 1 0 0
7	LINEAR		750	-	GENERAL PURPOSE	0 1 1 0 0
8	LINEAR		2850	-	GENERAL PURPOSE	1 1 1 0 0
9	SWEEP		500 - 1200	3.5s ON/0.5s OFF	NETHERLANDS-NEN2575:2000	0 0 0 0 1
10	SWEEP		500 - 1200	0.5s ON/0.5s OFF X 3 1.5s OFF	AUSTRALIA AS1670	1 0 0 1 0
11	SWEEP		800 - 970	0.5s ON/0.5s OFF X 3 1.5s OFF	ISO 8201	0 1 0 1 0
12	INTERMITTENT		420	0.625s ON/0.625s OFF	AUSTRALIA AS1670 ALERT TONE	1 1 0 1 0
13	INTERMITTENT		660	0.15s ON/0.15s OFF	SWEDISH (AIR RAID)	0 0 1 1 0
14	INTERMITTENT		660	1.8s ON/1.8s OFF	SWEDISH (LOCAL WARNING)	1 0 1 1 0
15	INTERMITTENT		660	0.5s ON/0.5s OFF	SWEDISH GENERAL PURPOSE	0 1 1 1 0
16	INTERMITTENT		720	0.7s ON/0.3s OFF	GENERAL PURPOSE	1 1 1 1 0
17	INTERMITTENT		750	0.33s ON/0.5s OFF	GENERAL PURPOSE	0 0 0 0 1
18	INTERMITTENT		800	0.25s ON/1s OFF	GENERAL PURPOSE	1 0 0 0 1
19	INTERMITTENT		970 - 800	0.35s/0.35s/0.35s OFF X 3 1.5s OFF	ISO 8201	0 1 0 0 1
20	INTERMITTENT		970	0.5s ON/0.5s OFF X 3 1.5s OFF	ISO 8201 LOW TONE	1 1 0 0 1
21	INTERMITTENT		970	0.25s ON/0.25s OFF	GENERAL PURPOSE	0 0 1 0 1
22	INTERMITTENT		2850	1s ON/1s OFF	GENERAL PURPOSE	1 0 1 0 1
23	INTERMITTENT		2850	0.25s ON/0.25s OFF	GENERAL PURPOSE	0 1 1 0 1
24	BI-TONE		600 - 700	0.5s/0.5s	GENERAL PURPOSE	1 1 1 0 1
25	BI-TONE		800 - 970	0.25s/0.25s	BS5839-1:2002	0 0 0 1 1
26	BI-TONE		800 - 970	0.8s/0.8s	GENERAL PURPOSE	1 0 0 1 1
27	BI-TONE		1000 - 2000	1s/1s	GENERAL PURPOSE	0 1 0 1 1
28	CHIME 1 SINGLE		700 - 600	0.4s/0.7s	SINGLE SHOT DING DONG	1 1 0 1 1
29	CHIME 1 REPEATING		700 - 600	0.4s/0.7s OFF	REPEATING DING DONG	0 0 1 1 1
30	CHIME 1 REPEATING		700 - 600	0.25s/0.4s OFF	REPEATING DING DONG	1 0 1 1 1
31	HOOTER REPEATING		-	3s ON/2s OFF	GENERAL PURPOSE	0 1 1 1 1
32	SIMULATED BELL		1850	0.1s (modulated 0.03s)	GENERAL PURPOSE	1 1 1 1 1

B

SWITCH B SOUNDS						
N°	STONE	STONE TYPE	F(Hz)	TIMES	DESCRIPTION	DIP SWITCH
1	INTERMITTENT		490	0.5s ON/1s OFF	GENERAL PURPOSE - WARNING	0 0 0 0 0
2	BI-TONE		480 - 610	0.5s/0.5s	GENERAL PURPOSE - EVACUATION 1	1 0 0 0 0
3	LINEAR		610	-	GENERAL PURPOSE - EVACUATION 2	0 1 0 0 0
4	LINEAR		500	-	GENERAL PURPOSE	1 1 0 0 0
5	LINEAR		970	-	BS5839-1:2002	0 0 1 0 0
6	SWEEP		500 - 1200	CICLE 3.75s/0.25s OFF	AS2220	1 0 1 0 0
7	SWEEP		1400 - 1600	CICLE 1.5s	NF 48-265	0 1 1 0 0
8	SWEEP		800 - 970	CICLE 1.5s	BS5839-1:2002	1 1 1 0 0
9	SWEEP		1200 - 500	CICLE 1s	DIN 33 404	0 0 0 1 0
10	INTERMITTENT		544	0.625s ON/0.625s OFF	GENERAL PURPOSE	1 0 0 1 0
11	INTERMITTENT		660	6.5s ON/13s OFF	SWEDISH (PRE-MESS)	0 1 0 1 0
12	INTERMITTENT		970	1s ON/1s OFF	APOLLO FIRE SYSTEM BS5839	1 1 0 1 0
13	INTERMITTENT		2850	0.5s ON/0.5s OFF X 3 1.5s OFF	ISO 8201 HIGH TONE	0 0 1 1 0
14	BI-TONE		970 - 630	0.5s/0.5s	APOLLO FIRE SYSTEM BS5839	1 0 1 1 0
15	BI-TONE		554 - 440	0.1s/0.4s	FRANCE - AFNOR NF S 32 001	0 1 1 1 0
16	BI-TONE		440 - 554	0.5s/0.5s	GENERAL PURPOSE	1 1 1 1 0
17	BI-TONE		510 - 610	0.5s/0.5s	GENERAL PURPOSE	0 0 0 0 1
18	BI-TONE		510 - 610	1s/1s	GENERAL PURPOSE	1 0 0 0 1
19	BI-TONE		600 - 700	1s/1s	GENERAL PURPOSE	0 1 0 0 1
20	BI-TONE		550 - 1000	0.5s/0.5s	GENERAL PURPOSE	1 1 0 0 1
21	BI-TONE		550 - 1000	1s/1s	GENERAL PURPOSE	0 0 1 0 1
22	BI-TONE		800 - 1000	0.5s/0.5s	GENERAL PURPOSE	1 0 1 0 1
23	BI-TONE		800 - 1000	1s/1s	GENERAL PURPOSE	0 1 1 0 1
24	BI-TONE		1000 - 2000	0.5s/0.5s	GENERAL PURPOSE	1 1 1 0 1
25	BI-TONE		2400 - 2850	0.265s/0.265s	GENERAL PURPOSE	0 0 0 1 1
26	BI-TONE		2400 - 2850	0.465s/0.465s	GENERAL PURPOSE	1 0 0 1 1
27	BI-TONE		640 - 970	0.5s/0.5s	GENERAL PURPOSE	0 1 0 1 1
28	BI-TONE		490 - 610	0.25s/0.25s	GENERAL PURPOSE	1 1 0 1 1
29	CHIME 2 SINGLE		554 - 440	0.35s/0.7s	SINGLE SHOT DING DONG	0 0 1 1 1
30	CHIME 2 REP		554 - 440	0.35s/0.7s/0.5s OFF	REPEATING DING DONG	1 0 1 1 1
31	CHIME 3 SINGLE		1300 - 944	0.5s/1s	SINGLE SHOT DING DONG	0 1 1 1 1
32	CHIME 3 REP		1300 - 944	0.5s/1s/0.5s OFF	REPEATING DING DONG	1 1 1 1 1



SIRE LT		SIRE LED LT	
V ~	12+24	V ~	12+24
mA	240 280	mA	380 460
dB(A)1m	87+105	dB(A)1m	87+105

SIRE MT		SIRE LED MT	
V ~	30+80	V ~	30+80
mA	150 70	mA	325 125
dB(A)1m	90+105	dB(A)1m	90+105

SIRE HT		SIRE LED HT	
V ~	90+240	V ~	90+240
mA	60 35	mA	100 60
dB(A)1m	87+105	dB(A)1m	87+105

FUSIBILE DI PROTEZIONE	Sulla linea di alimentazione utilizzare fusibili ritardati dimensionati a seconda della tensione
FUSE WIRE PROTECTION	On the power supply line the rating of the supply fuse must be according to the voltage
FUSIBLE DE PROTECTION	Sur la ligne d'alimentation utiliser des fusibles retardés dimensionnés selon la tension
SCHUTZSICHERUNG	Für die Zuleitung träge Sicherungen verwenden, die nach der Spannung zu bemessen sind
FUSIBLE DE PROTECCIÓN	En la línea de alimentación emplear fusibles de seguridad adecuados al voltaje

NON SMALTIRE COME RIFIUTO URBANO - NOT TO BE DISPOSED OF AS COMMON WASTE - NE PAS ELIMINER COMME DECHET URBAIN
NICHT ÜBER DIE NORMALE SAMMLUNG VON HAUSMÜLL ENTSORGEN - NO ELIMINAR COMO DESECHO URBANO

<p>SIRE LT SHALLOW / SIRE LED LT SHALLOW / SIRE LT DEEP / SIRE LED LT DEEP / SIRE LT WALL / SIRE LED LT WALL / SIRE LT DOUBLE / SIRE LED LT DOUBLE / SIRE LT FLUSH / SIRE LED LT FLUSH</p>		<p>12÷24V DC/AC</p>
<p>C + 1 (solo per versione SIRE LED): Luce lampeggiante a LED C + 1 (only SIRE LED version): LED flashing light C + 1 (seulement pour version SIRE LED): Lumière à LED clignotante C + 1 (nur für Ausführung SIRE LED): LED-Blinklicht C + 1 (unicamente para la versión SIRE LED): Luz intermitente de LED</p> <p>C + 2: Luce lampeggiante a LED (versione SIRE LED) + suono SWITCH A C + 2: LED flashing light (SIRE LED version) + SWITCH A sound C + 2: Lumière à LED clignotante (version SIRE LED) + son SWITCH A C + 2: LED-Blinklicht (Ausführung SIRE LED) + Ton SWITCH A C + 2: Luz intermitente de LED (versión SIRE LED) + Sonido SWITCH A</p> <p>C + 3: Luce fissa a LED (versione SIRE LED) + suono SWITCH B C + 3: LED steady light (SIRE LED version) + SWITCH B sound C + 3: Lumière à LED fixe (version SIRE LED) + son SWITCH B C + 3: LED-Dauerlicht (Ausführung SIRE LED) + Ton SWITCH B C + 3: Luz fija de LED (versión SIRE LED) + Sonido SWITCH B</p>		
<p>⚠ C + 2 ha priorità su C + 1 C + 2 has priority over C + 1 C + 2 est prioritaire sur C + 1 C + 2 hat die Priorität auf C + 1 C + 2 tiene prioridad en C + 1</p>		<p>⚠ C + 3 ha priorità su C + 2 e C + 1 C + 3 has priority over C + 2 and C + 1 C + 3 est prioritaire sur C + 2 et C + 1 C + 3 hat die Priorität auf C + 2 und C + 1 C + 3 tiene prioridad en C + 2 y C + 1</p>

<p>SIRE MT DEEP / SIRE LED MT DEEP 30+80V DC/AC</p>		<p>SIRE HT DEEP / SIRE LED HT DEEP 90+240V AC</p>	
<p>C + 1 (solo per versione SIRE LED): Luce lampeggiante a LED C + 1 (only SIRE LED version): LED flashing light C + 1 (seulement pour version SIRE LED): Lumière à LED clignotante C + 1 (nur für Ausführung SIRE LED): LED-Blinklicht C + 1 (unicamente para la versión SIRE LED): Luz intermitente de LED</p> <p>C + 2: Luce lampeggiante a LED (versione SIRE LED) + suono SWITCH A C + 2: LED flashing light (SIRE LED version) + SWITCH A sound C + 2: Lumière à LED clignotante (version SIRE LED) + son SWITCH A C + 2: LED-Blinklicht (Ausführung SIRE LED) + Ton SWITCH A C + 2: Luz intermitente de LED (versión SIRE LED) + Sonido SWITCH A</p> <p>C + 3: Luce fissa a LED (versione SIRE LED) + suono SWITCH B C + 3: LED steady light (SIRE LED version) + SWITCH B sound C + 3: Lumière à LED fixe (version SIRE LED) + son SWITCH B C + 3: LED-Dauerlicht (Ausführung SIRE LED) + Ton SWITCH B C + 3: Luz fija de LED (versión SIRE LED) + Sonido SWITCH B</p>		<p>⚠ C + 2 ha priorità su C + 1 C + 2 has priority over C + 1 C + 2 est prioritaire sur C + 1 C + 2 hat die Priorität auf C + 1 C + 2 tiene prioridad en C + 1</p>	
<p>⚠ C + 3 ha priorità su C + 2 e C + 1 C + 3 has priority over C + 2 and C + 1 C + 3 est prioritaire sur C + 2 et C + 1 C + 3 hat die Priorität auf C + 2 und C + 1 C + 3 tiene prioridad en C + 2 y C + 1</p>		<p>⚠ C + 5 ha priorità su C + 4 C + 5 has priority over C + 4 C + 5 est prioritaire sur C + 4 C + 5 hat die Priorität auf C + 4 C + 5 tiene prioridad en C + 4</p>	

<p>SIRE MT WALL / SIRE LED MT WALL 30+80V DC/AC</p>		<p>SIRE HT WALL / SIRE LED HT WALL 90+240V AC</p>	
<p>C + 1 (solo per versione SIRE LED): Luce lampeggiante a LED C + 1 (only SIRE LED version): LED flashing light C + 1 (seulement pour version SIRE LED): Lumière à LED clignotante C + 1 (nur für Ausführung SIRE LED): LED-Blinklicht C + 1 (unicamente para la versión SIRE LED): Luz intermitente de LED</p> <p>C + 2: Luce lampeggiante a LED (versione SIRE LED) + suono SWITCH A C + 2: LED flashing light (SIRE LED version) + SWITCH A sound C + 2: Lumière à LED clignotante (version SIRE LED) + son SWITCH A C + 2: LED-Blinklicht (Ausführung SIRE LED) + Ton SWITCH A C + 2: Luz intermitente de LED (versión SIRE LED) + Sonido SWITCH A</p> <p>C + 3: Luce fissa a LED (versione SIRE LED) + suono SWITCH B C + 3: LED steady light (SIRE LED version) + SWITCH B sound C + 3: Lumière à LED fixe (version SIRE LED) + son SWITCH B C + 3: LED-Dauerlicht (Ausführung SIRE LED) + Ton SWITCH B C + 3: Luz fija de LED (versión SIRE LED) + Sonido SWITCH B</p>		<p>⚠ C + 2 ha priorità su C + 1 C + 2 has priority over C + 1 C + 2 est prioritaire sur C + 1 C + 2 hat die Priorität auf C + 1 C + 2 tiene prioridad en C + 1</p>	
<p>⚠ C + 3 ha priorità su C + 2 e C + 1 C + 3 has priority over C + 2 and C + 1 C + 3 est prioritaire sur C + 2 et C + 1 C + 3 hat die Priorität auf C + 2 und C + 1 C + 3 tiene prioridad en C + 2 y C + 1</p>		<p>⚠ C + 5 ha priorità su C + 4 C + 5 has priority over C + 4 C + 5 est prioritaire sur C + 4 C + 5 hat die Priorität auf C + 4 C + 5 tiene prioridad en C + 4</p>	

<p>SIRE MT FLUSH / SIRE LED MT FLUSH 30+80V DC/AC</p>		<p>SIRE HT FLUSH / SIRE LED HT FLUSH 90+240V AC</p>	
<p>C + 1 (solo per versione SIRE LED): Luce lampeggiante a LED C + 1 (only SIRE LED version): LED flashing light C + 1 (seulement pour version SIRE LED): Lumière à LED clignotante C + 1 (nur für Ausführung SIRE LED): LED-Blinklicht C + 1 (unicamente para la versión SIRE LED): Luz intermitente de LED</p> <p>C + 2: Luce lampeggiante a LED (versione SIRE LED) + suono SWITCH A C + 2: LED flashing light (SIRE LED version) + SWITCH A sound C + 2: Lumière à LED clignotante (version SIRE LED) + son SWITCH A C + 2: LED-Blinklicht (Ausführung SIRE LED) + Ton SWITCH A C + 2: Luz intermitente de LED (versión SIRE LED) + Sonido SWITCH A</p> <p>C + 3: Luce fissa a LED (versione SIRE LED) + suono SWITCH B C + 3: LED steady light (SIRE LED version) + SWITCH B sound C + 3: Lumière à LED fixe (version SIRE LED) + son SWITCH B C + 3: LED-Dauerlicht (Ausführung SIRE LED) + Ton SWITCH B C + 3: Luz fija de LED (versión SIRE LED) + Sonido SWITCH B</p>		<p>⚠ C + 2 ha priorità su C + 1 C + 2 has priority over C + 1 C + 2 est prioritaire sur C + 1 C + 2 hat die Priorität auf C + 1 C + 2 tiene prioridad en C + 1</p>	
<p>⚠ C + 3 ha priorità su C + 2 e C + 1 C + 3 has priority over C + 2 and C + 1 C + 3 est prioritaire sur C + 2 et C + 1 C + 3 hat die Priorität auf C + 2 und C + 1 C + 3 tiene prioridad en C + 2 y C + 1</p>		<p>⚠ C + 5 ha priorità su C + 4 C + 5 has priority over C + 4 C + 5 est prioritaire sur C + 4 C + 5 hat die Priorität auf C + 4 C + 5 tiene prioridad en C + 4</p>	

<p>SIRE MT DOUBLE / SIRE LED MT DOUBLE 30+80V DC/AC</p>		<p>SIRE HT DOUBLE / SIRE LED HT DOUBLE 90+240V AC</p>	
<p>C + 1 (solo per versione SIRE LED): Luce lampeggiante a LED C + 1 (only SIRE LED version): LED flashing light C + 1 (seulement pour version SIRE LED): Lumière à LED clignotante C + 1 (nur für Ausführung SIRE LED): LED-Blinklicht C + 1 (unicamente para la versión SIRE LED): Luz intermitente de LED</p> <p>C + 2: Luce lampeggiante a LED (versione SIRE LED) + suono SWITCH A C + 2: LED flashing light (SIRE LED version) + SWITCH A sound C + 2: Lumière à LED clignotante (version SIRE LED) + son SWITCH A C + 2: LED-Blinklicht (Ausführung SIRE LED) + Ton SWITCH A C + 2: Luz intermitente de LED (versión SIRE LED) + Sonido SWITCH A</p> <p>C + 3: Luce fissa a LED (versione SIRE LED) + suono SWITCH B C + 3: LED steady light (SIRE LED version) + SWITCH B sound C + 3: Lumière à LED fixe (version SIRE LED) + son SWITCH B C + 3: LED-Dauerlicht (Ausführung SIRE LED) + Ton SWITCH B C + 3: Luz fija de LED (versión SIRE LED) + Sonido SWITCH B</p>		<p>⚠ C + 2 ha priorità su C + 1 C + 2 has priority over C + 1 C + 2 est prioritaire sur C + 1 C + 2 hat die Priorität auf C + 1 C + 2 tiene prioridad en C + 1</p>	
<p>⚠ C + 3 ha priorità su C + 2 e C + 1 C + 3 has priority over C + 2 and C + 1 C + 3 est prioritaire sur C + 2 et C + 1 C + 3 hat die Priorität auf C + 2 und C + 1 C + 3 tiene prioridad en C + 2 y C + 1</p>		<p>⚠ C + 5 ha priorità su C + 4 C + 5 has priority over C + 4 C + 5 est prioritaire sur C + 4 C + 5 hat die Priorität auf C + 4 C + 5 tiene prioridad en C + 4</p>	

<p>SIRE SHALLOW / SIRE LED SHALLOW</p>		<p>SIRE DEEP / SIRE LED DEEP</p>		<p>SIRE WALL / SIRE LED WALL</p>	

<p>SIRE DOUBLE / SIRE LED DOUBLE</p>	

<p>SIRE FLUSH / SIRE LED FLUSH</p>	