

JULIE LED IP65

THORN_{eco}

EN Installation Instructions
DE Montageanleitung
CZ Montážní návod
DK Monteringsvejledning
EE Paigaldusjuhend
FI Asennusohje
FR Notice de montage
HU Szerelési útmutató

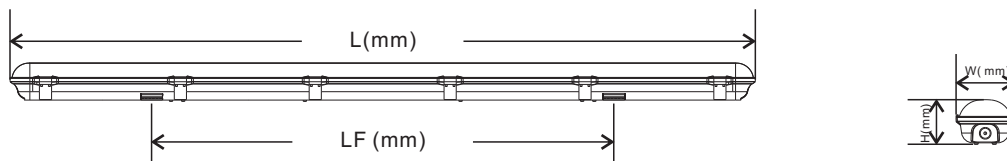
IT Istruzioni di montaggio
LT Montavimo Instrukcijos
LV Instalācijas instrukcija
NO Monteringsanvisning
PL Instrukcja montażu
SE Installationsanvisning
RU Инструкция по монтажу
CN 安装说明书



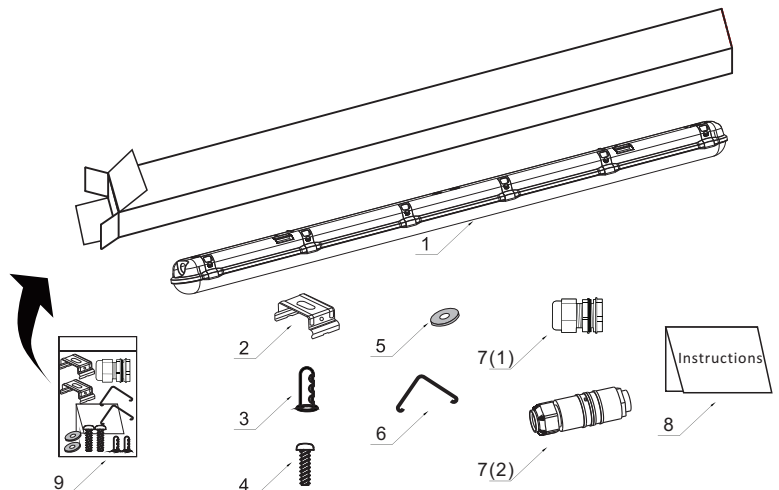
1. Installation and commissioning may only be carried out by authorized specialists and wired in accordance with the latest IEE electrical regulations or the national standards.
2. Mains power must be switched off before carrying out installation.
3. The manufacturer, shall not be liable for any damage resulting from inappropriate modifications to the luminaire or faulty installation.
4. Indoor use only.
5. The light source contained in this luminaire shall only be replaced by the manufacturer or his service agent or a similar qualified person.
6. Caution, risk of electric shock.

The control gear provides basic insulation between the LV supply and the control circuit

| Product Description | Wattage | SAP Code | L | W | H | LF |
|--------------------------------------|---------|----------|------|-----|----|-----|
| JULIE 1200 LED IP65 4000 840 | 40W | 96665577 | 1232 | 103 | 78 | 900 |
| JULIE 1200 LED IP65 4000 840 CONNECT | 40W | 96665578 | 1232 | 103 | 78 | 900 |
| JULIE 1200 LED IP65 4000 840 E3 | 40W | 96665579 | 1232 | 103 | 78 | 900 |
| JULIE 1500 LED IP65 6000 840 | 60W | 96665580 | 1532 | 103 | 78 | 950 |
| JULIE 1500 LED IP65 6000 840 CONNECT | 60W | 96665581 | 1532 | 103 | 78 | 950 |
| JULIE 1500 LED IP65 6000 840 E3 | 60W | 96665582 | 1532 | 103 | 78 | 950 |
| JULIE 1500 LED IP65 4000 840 | 40W | 96628396 | 1532 | 85 | 78 | 950 |
| JULIE 1500 LED IP65 4000 840 E3 | 40W | 96628397 | 1532 | 85 | 78 | 950 |

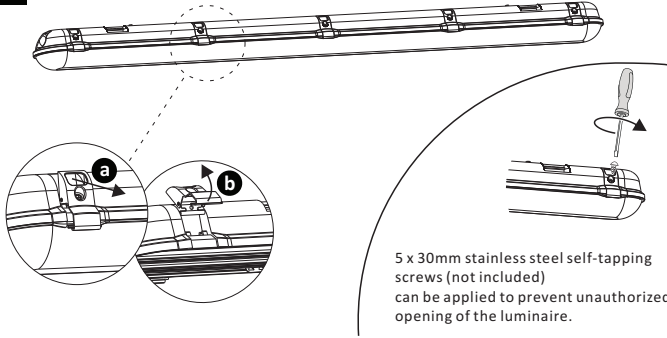


| | | |
|--------------------------|-------------------------------------|----|
| 1 | LED waterproof lighting | X1 |
| 2 | SS hook | X2 |
| 3 | plastic expansion | X2 |
| 4 | Round head self-drilling screw 5x30 | X2 |
| 5 | Flat gasket 12x6/Center hole 6mm | X2 |
| 6 | Triangle hook | X2 |
| 7(1) _{standard} | M20 five-set cable drill | X1 |
| 7(2) _{connect} | Connect | X1 |
| 8 | Instructions | X1 |
| 9 | Accessory bag | X1 |

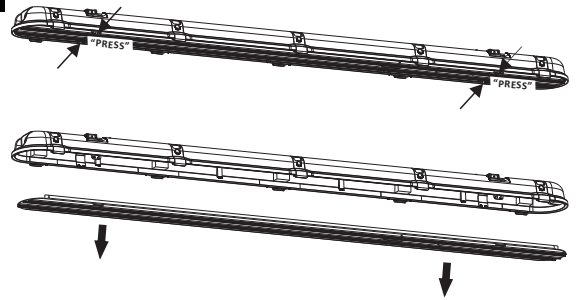


JULIE LED IP65

1

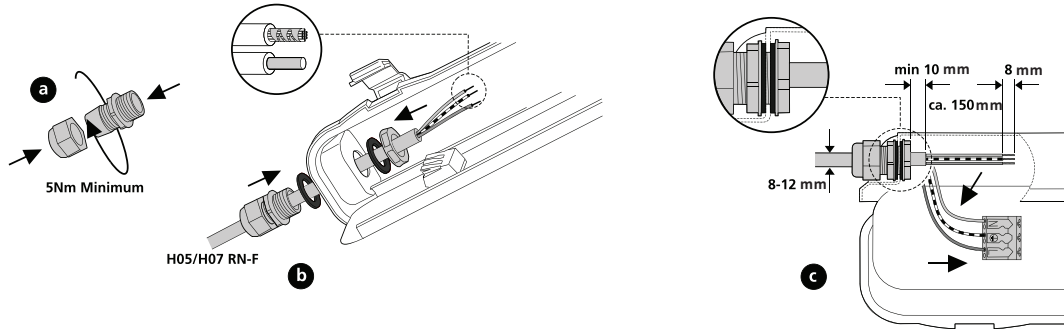


2



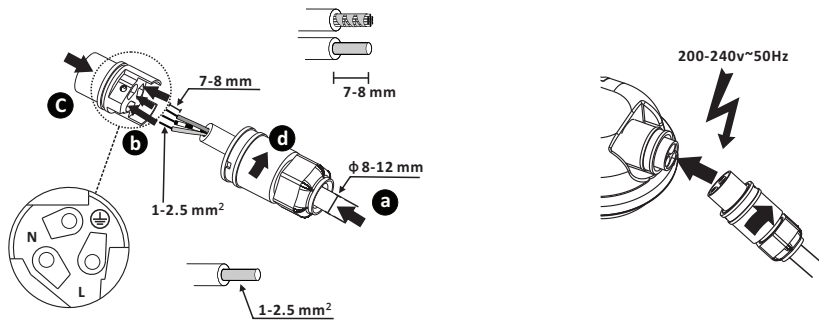
3

Standard

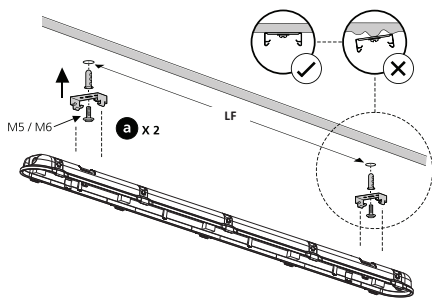


3

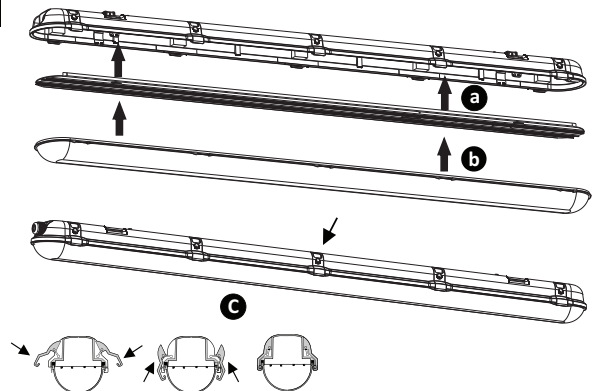
Connect



4



5



E3

