

Minilux2 LED

THORN_{eco}

EN	Installation Instructions
DE	Montageanleitung
CZ	Montážní návod
DK	Monteringsvejledning
EE	Paigaldusjuhend
FI	Asennusohje
FR	Notice de montage
HU	Szerelési útmutató

IT	Istuzioni di montaggio
LT	Montavimo Instrukcijos
LV	Instalācijas instrukcija
NO	Monteringsanvisning
PL	Instrukcja montażu
SE	Installationsanvisning
RU	Инструкция по монтажу
CN	安装说明书

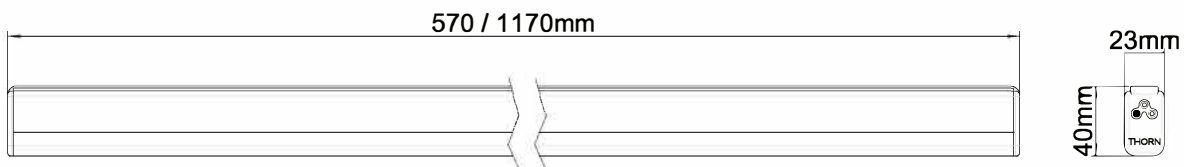


1. Installation and commissioning may only be carried out by authorized specialists and wired in cordance with the latest IEE electrical regulations or the national standards.
2. Mains power must be switched off before carrying out installation.
3. The manufacturer, shall not be liable for any damage resulting from inappropriate modifications to the luminaire or faulty installation.
4. Indoor use only.
5. The light source contained in this luminaire shall only be replaced by the manufacturer or his service agent or a similar qualified person.
6. Caution, risk of electric shock.

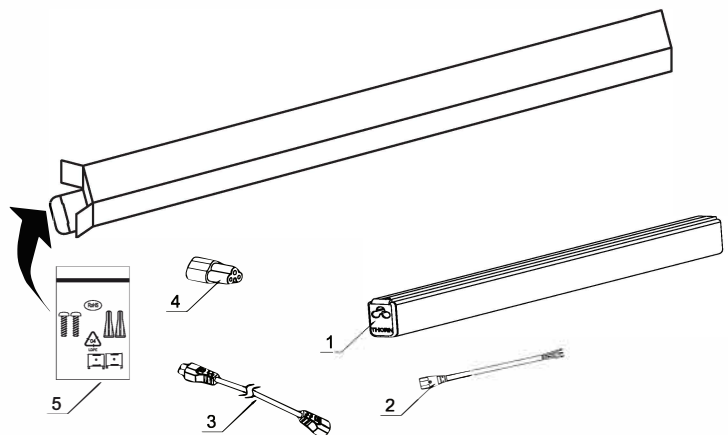


The control gear provides basic insulation between the LV supply and the control circuit

Product Description	Wattage	SAP code	Max. number linkable
Minilux2 LED 900-830 HF L570	9W	96644485	10pcs
Minilux2 LED 1800-830 HF L1170	19W	96644483	10pcs
Minilux2 LED 900-840 HF L570	9W	96644486	10pcs
Minilux2 LED 1800-840 HF L1170	19W	96644484	10pcs



1	Minilux2 LED Batten
2	Minilux2 LED input lead 300mm
3	Minilux2 LED connect lead 300mm
4	Minilux2 LED interconnector
5	Minilux2 LED accessory bag



Minilux2 LED

