

Light is OSRAM



EBN-OS (Schalk Steuerungstechnik GmbH)
for POWERTRONIC® / OPTOTRONIC®

Installation instructions
Edition: Mar. 2016
Subject to change

Type	Quantity without EBN-OS for a 16 A Type B circuit breaker	Approx. quantity with EBN-OS for a 16 A Type B circuit breaker
PTi 20/220-240 S/I	33	82
PTi 35/220-240 S MINI	28	70
PTi 35/220-240 S/I	26	65
PT-FIT 35/220-240 S/I		
PTo 35/220-240*	13	32
PTi 50/220-240 S/I	13	32
PT-FIT 50/220-240 S/I		
PTo 50/220-240 3DIM*	13	32
PTi 70/220-240 S/I	13	32
PT-FIT 70/220-240 S/I		
PTo 70/220-240 3DIM*		
PTi 100/220-240 S/I	8	20
PTo 100/220-240 3DIM*	7	17
PTi 150/220-240 S/I	7	17
PTo 150/220-240 3DIM*		
OTi DALI 60/220-240/550 D LT2 L	13	40
OTi DALI 90/220-240/1A0 LT2 L		
OTi 60/220-240/550 D LT2 L		
OTi 90/220-240/1A0 LT2 L		
OTi DALI 50/220-240/1A4 LT2 FAN	20	50
OT 40/1A0 4DIMLT2 E*	17	45
OT 50/1A2 2DIMLT2 P*		
OT 50/800 2DIMLT2 P*		
OT 100/1A2 2DIMLT2 P*	10	30
OT 110/800 2DIMLT2 P*		
OT 60/1A0 4DIMLT2 E*	12	30
OT 90/1A0 4DIMLT2 E*		
OT 165/1A0 4DIMLT2 E*	8	15

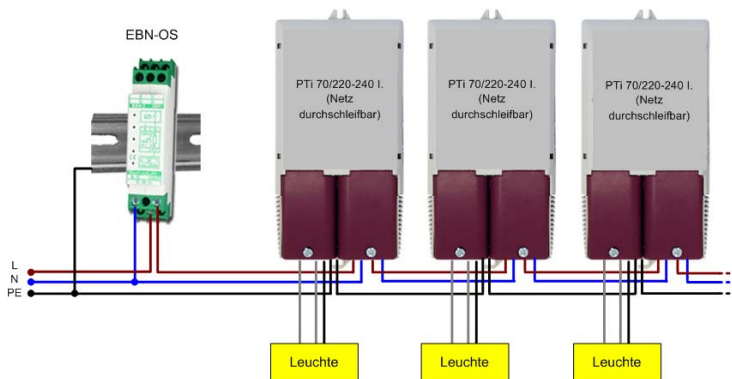
Light is OSRAM



* For outdoor applications the EBN-OS has to be operated in conjunction with a surge protection device (SPD), which has a surge protection capability $U_{oc} \geq 4kV$ (L/N and L/N-PE) and a protection level $U_p \leq 1.6kV$
Not suitable for all other ECGs.

Mounting

By using an inrush current limiter, the installation effort in big systems will be reduced because a higher number of ECGs per strand and circuit breaker is possible. It is suitable for installation directly in the control cabinet (DIN rail dimensions)



Installation example with PTi 70/220-240 I (mains looping) e.g. up to approx. 32x PTi 70 I on one circuit breaker (16 A, B char.)