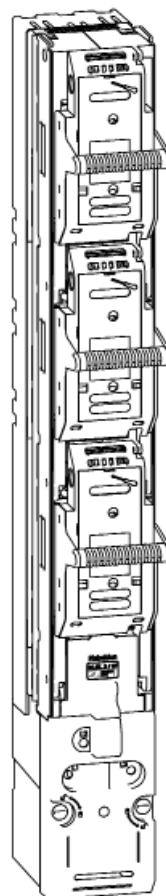
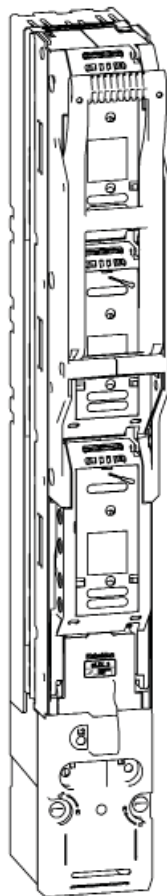


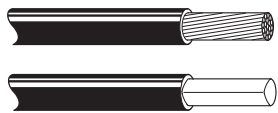
# SLDL 2 / SLDL 3 / SLDL 2-1P / SLDL 3-1P

## Fuse switch disconnecter

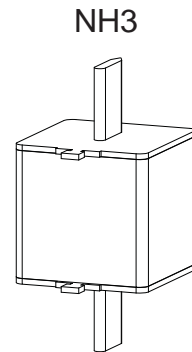
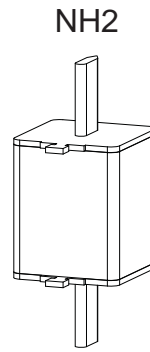
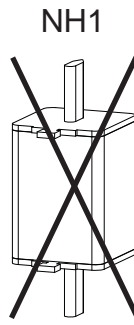
## Säkringslastfrånskiljare



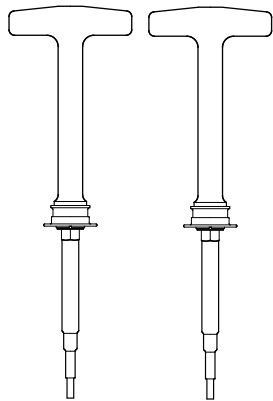
1322  
1323



Area 35-240 mm<sup>2</sup>  
Al/Cu

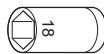
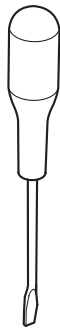


1324  
1325  
4413  
4414  
4415



6 mm

8 mm



"Extended"

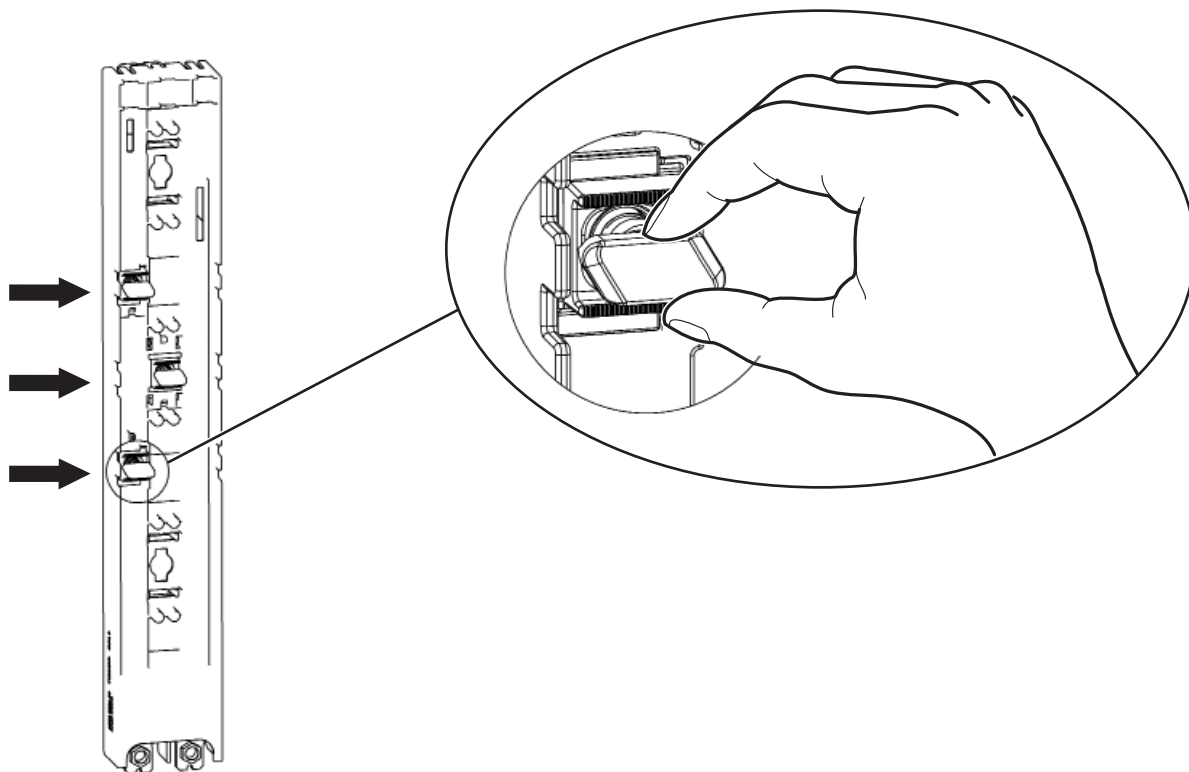
15-35 Nm



12,7 mm (1/2")

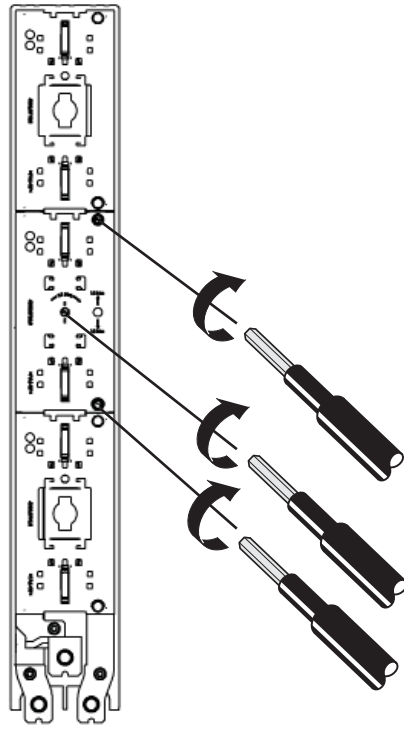
VHB  1000 V

1.



1326  
1327a

2.



15 Nm

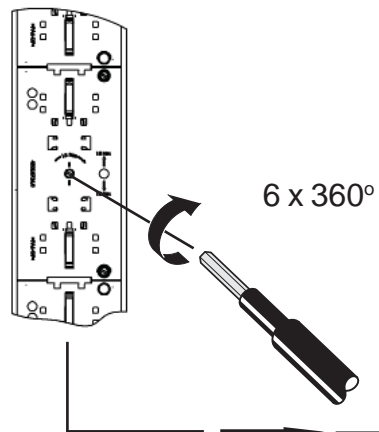
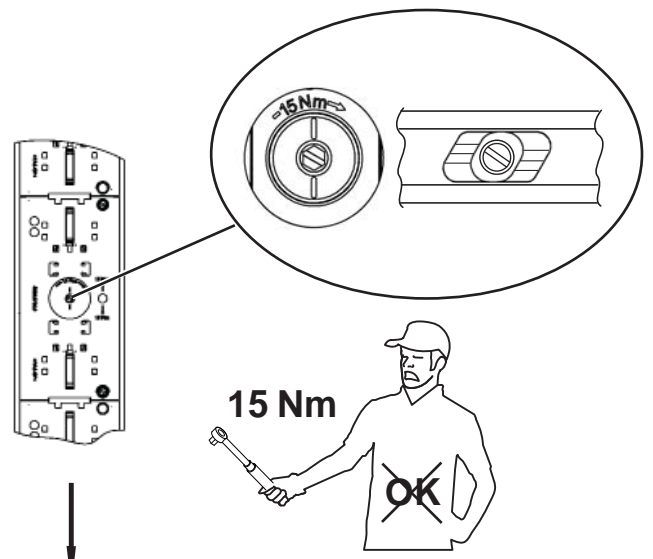
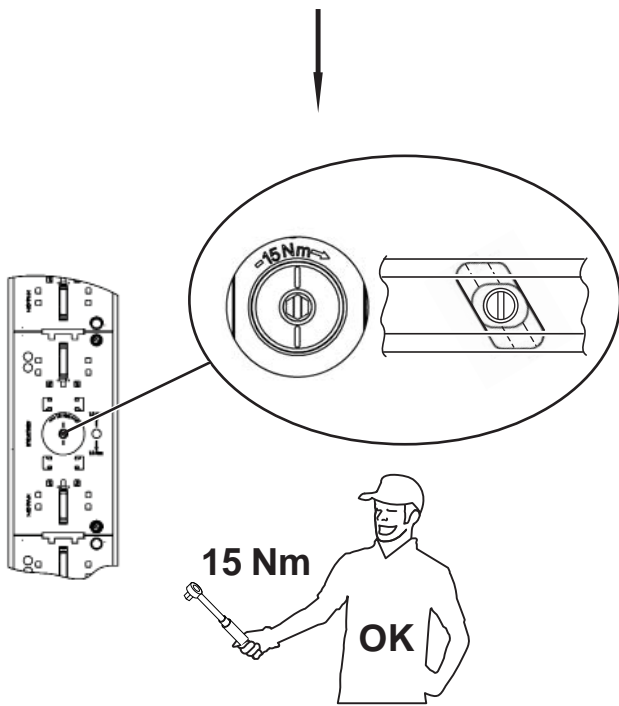
2

15 Nm

1

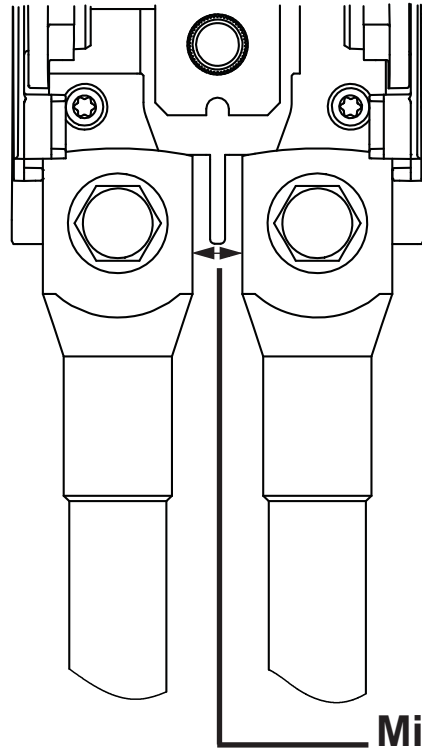
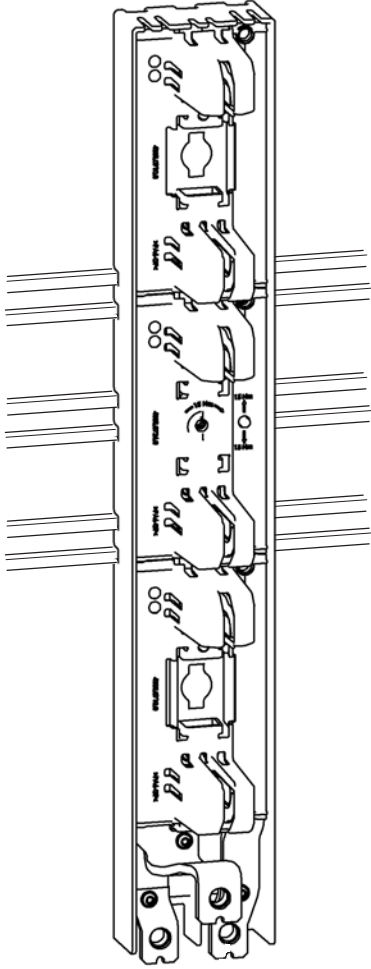
15 Nm

3




1328  
1329  
1330  
1331  
1332  
1333

3.

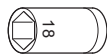


Min 12 mm

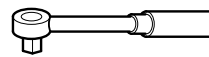


**MK SLDL**  
Mounting kit

SE: E0732734  
NO: E1145574  
FI: SSTL5411037



35 Nm



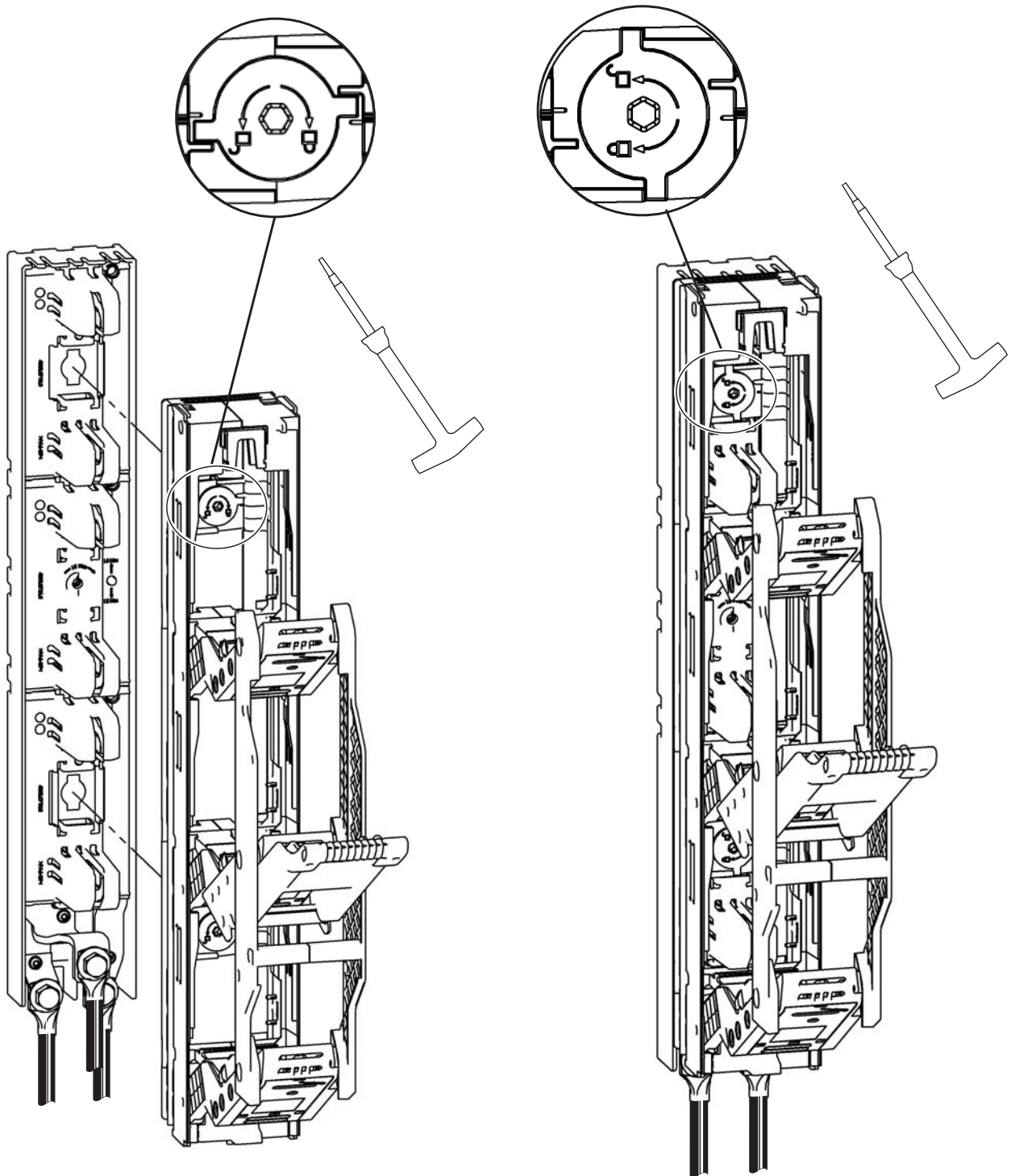
12,7 mm (1/2")

1334  
1335  
1336  
1337

4.

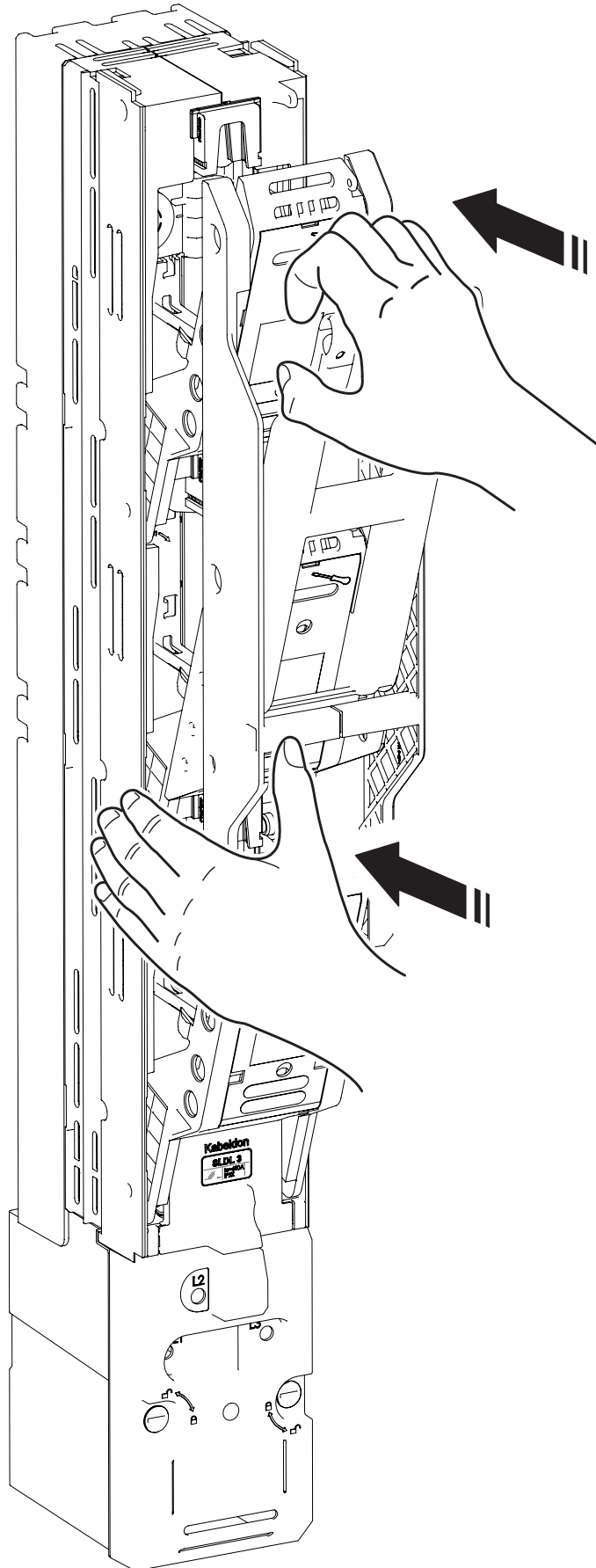
# SLDL 2 SLDL 3

Max 5 Nm



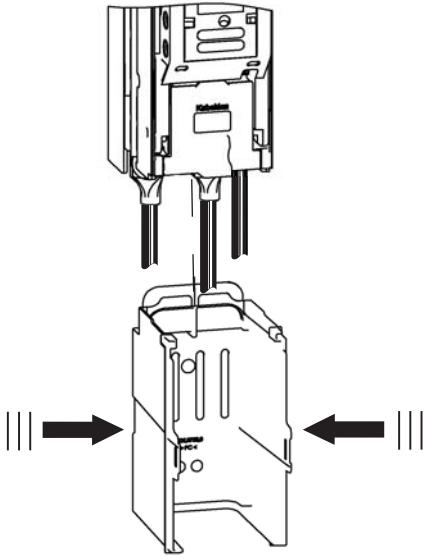
1338  
1339  
1340  
1341

5.

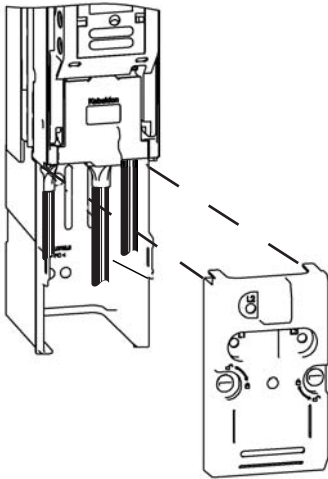


4417

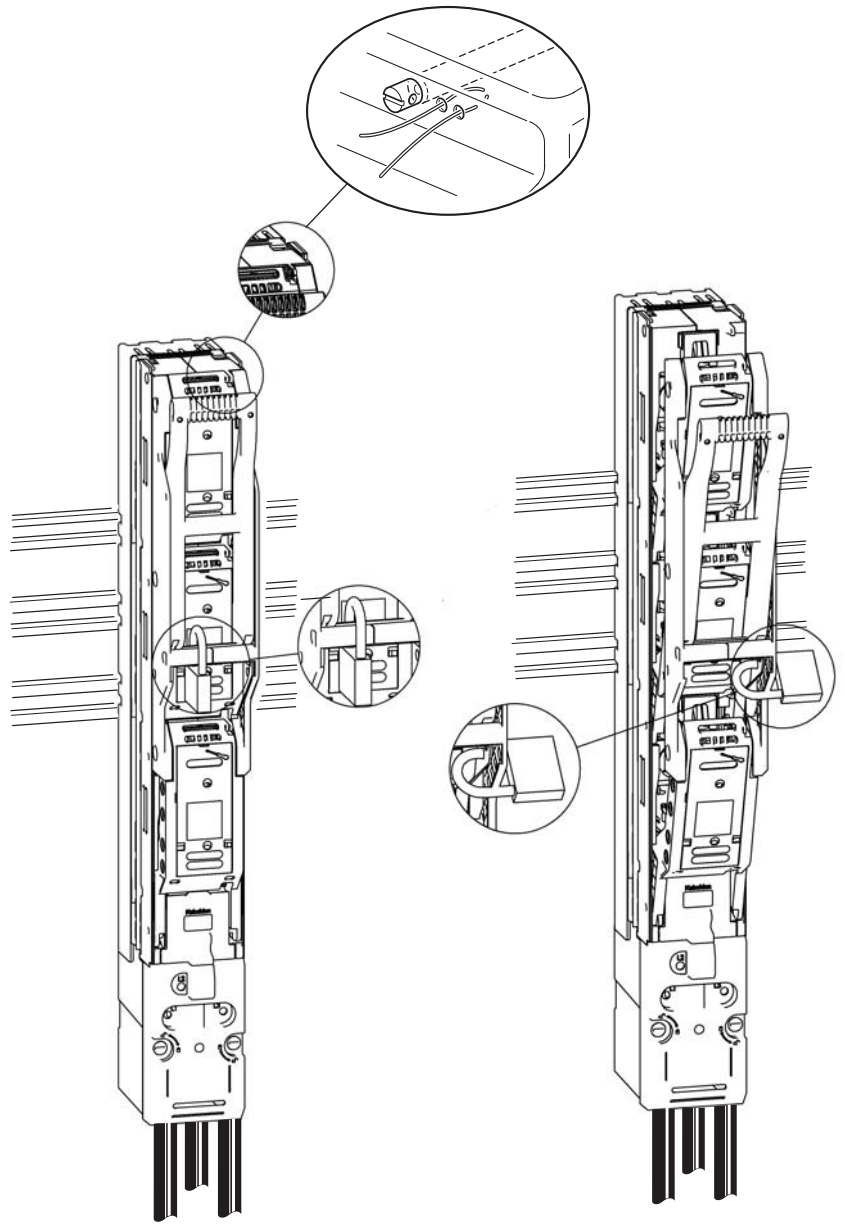
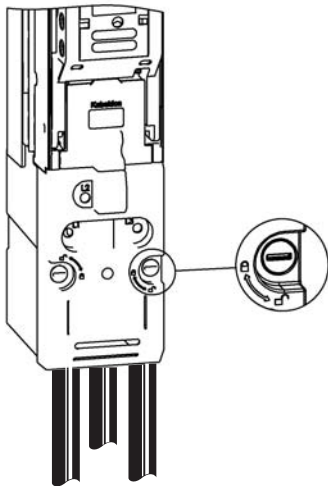
6.



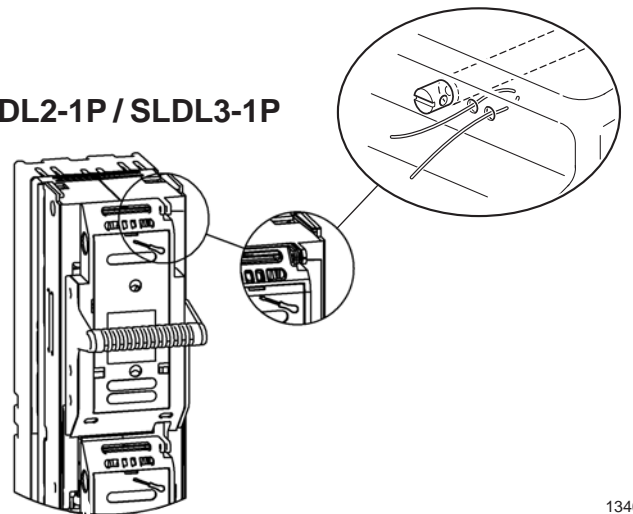
7.



8.

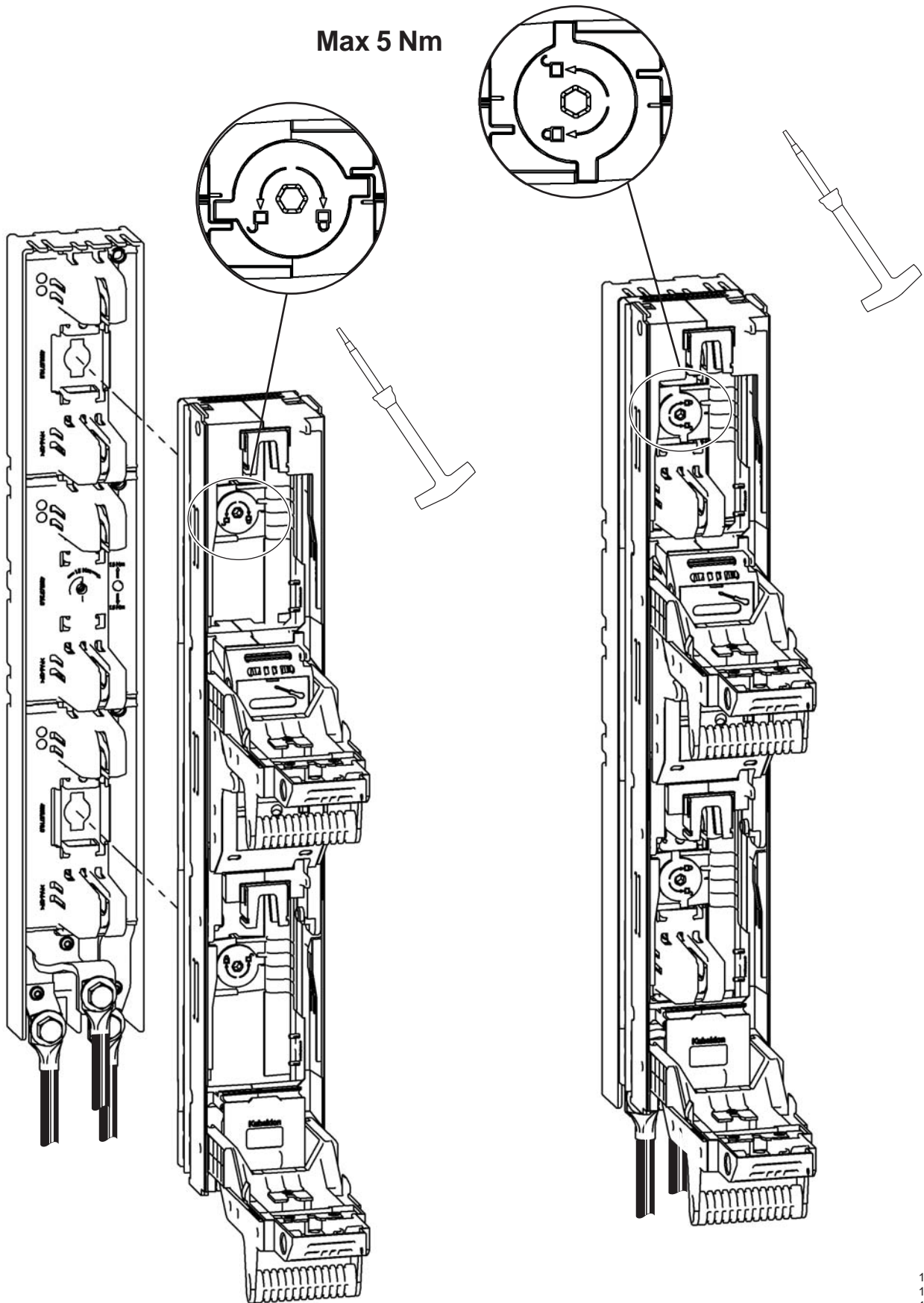


**SLDL2-1P / SLDL3-1P**



# SLDL2-1P /SLDL3-1P

Max 5 Nm



1342  
1343  
1344  
1345