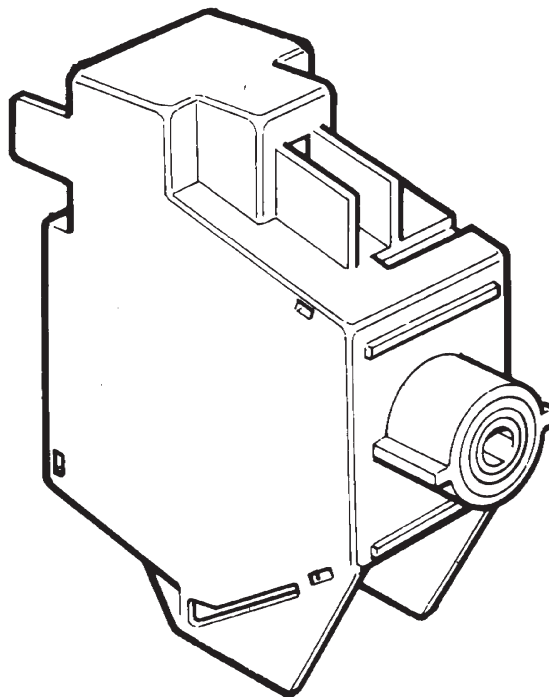


AD 300

Connector
Anslutningsdon

ABB

4390.1279-13



1064

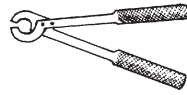
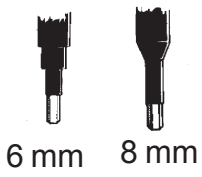
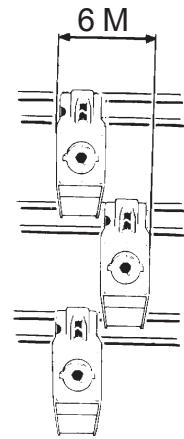
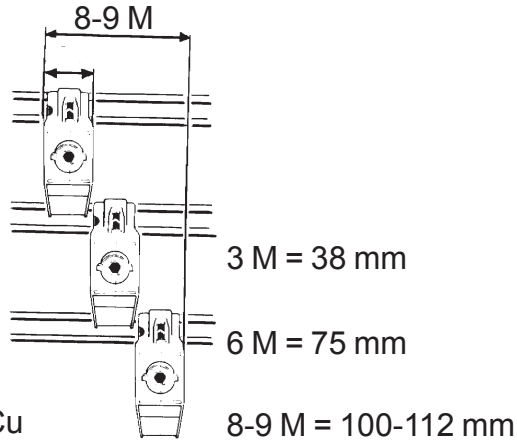
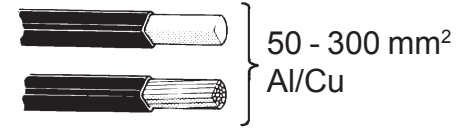
December 2011

150-300 mm²

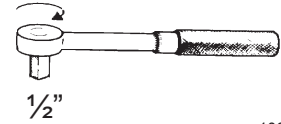
50-120 mm²

$U_e = 500 \text{ V}$

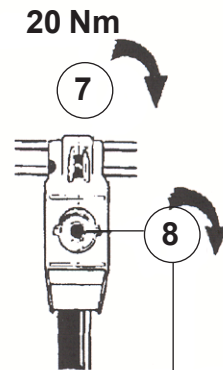
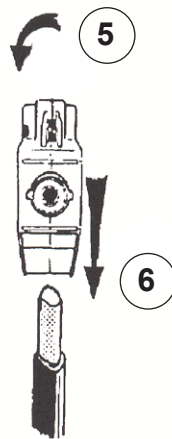
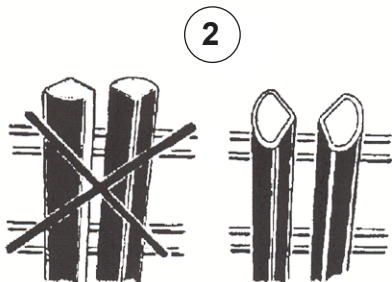
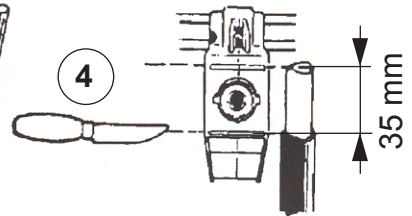
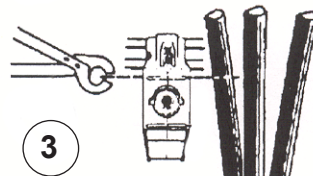
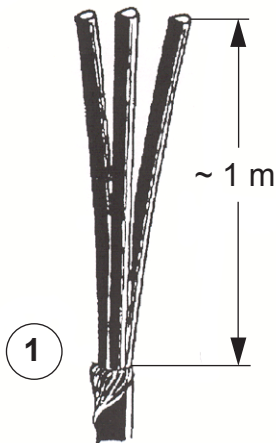
$I_{th} = 630 \text{ A}$



10-45 Nm



1065



50-95 mm ²	20 Nm
120-300 mm ²	45 Nm

6392