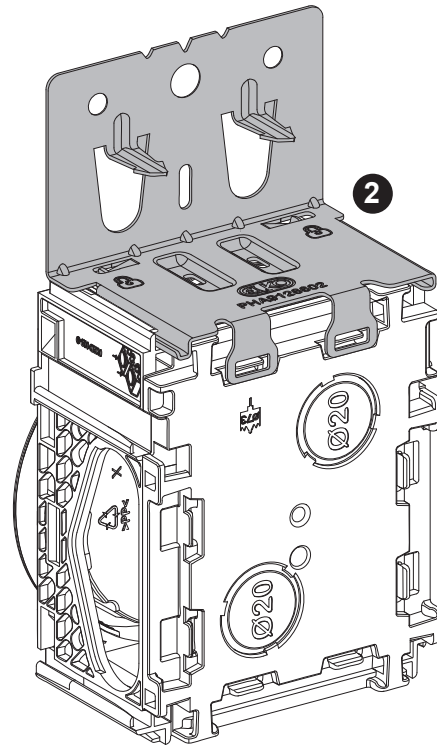
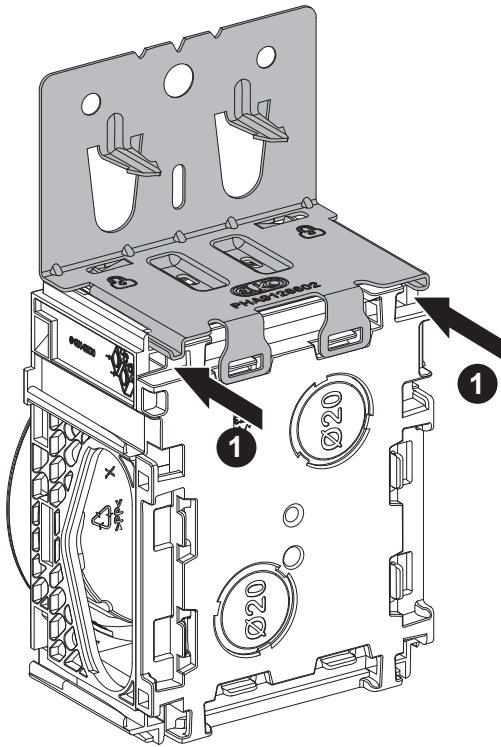
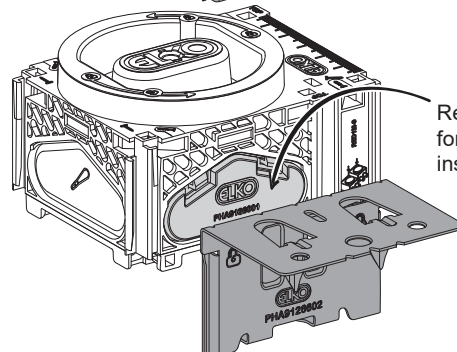
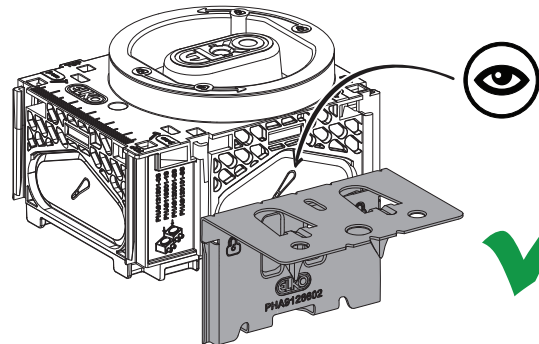
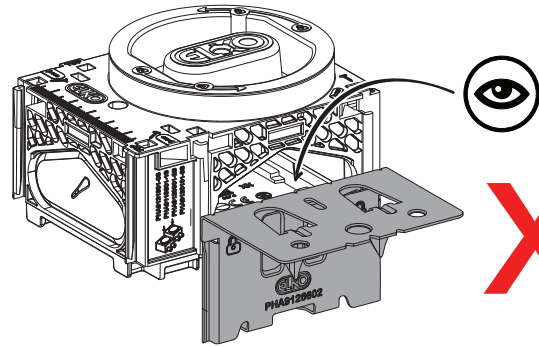
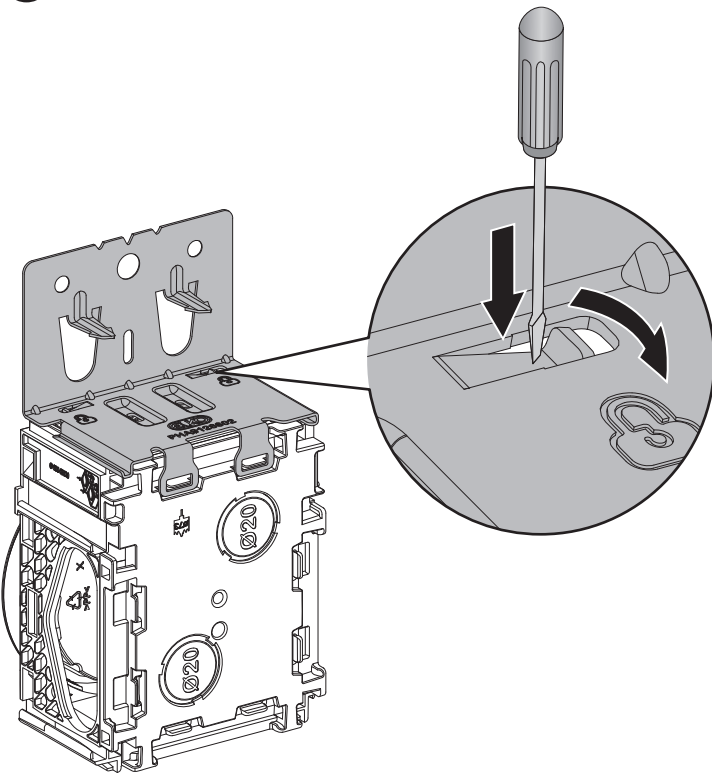




Flexi + Beam fixing



i



Refer IS NNZ5676300
for Blank Pate Assembly
instruction

NNZ5675400-00

ELKO AB,
Box 5115,
121 17 Johanneshov
www.elko.se/kundsupport

ELKO AS,
Pb. 6598 Etterstad, 0607 Oslo
www.proff.elko.no/kontakt-oss

