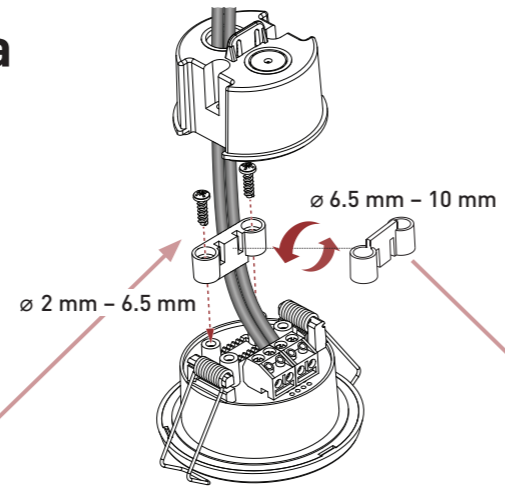




Installation Guide

2a

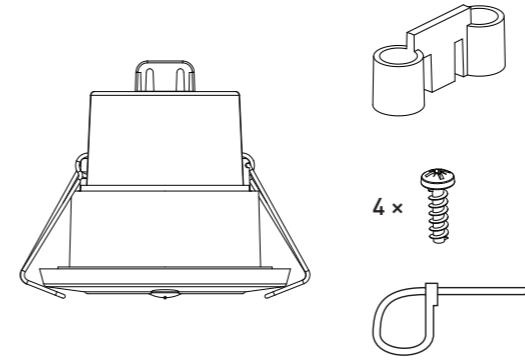


Helvar Ltd

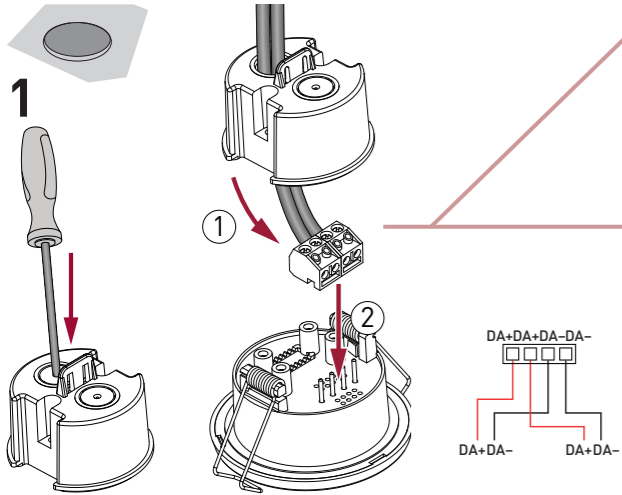
Hawley Mill  
Hawley Road  
DARTFORD  
DA2 7SY  
UNITED KINGDOM  
[www.helvar.com](http://www.helvar.com)

Helvar 320 PIR Sensor  
Helvar 321 Multisensor

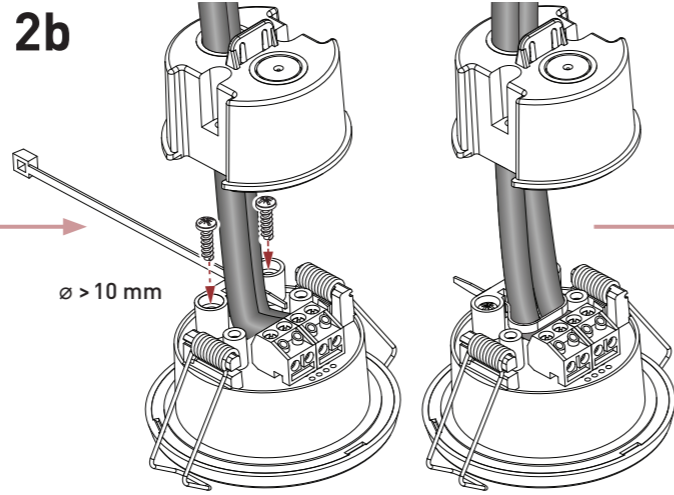
Doc: 7860373, 6  
Date: 2019-12-16



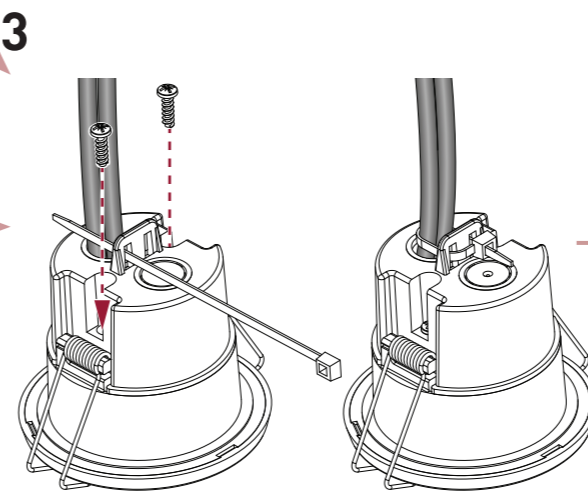
I.



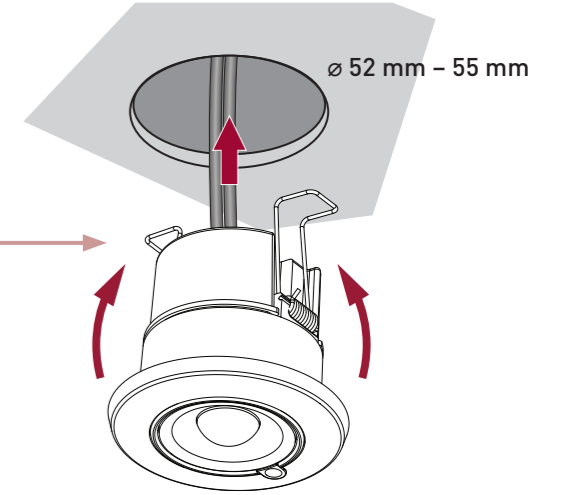
2b



3



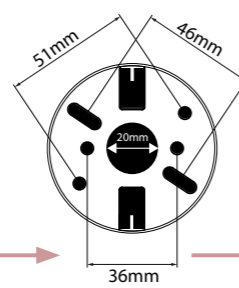
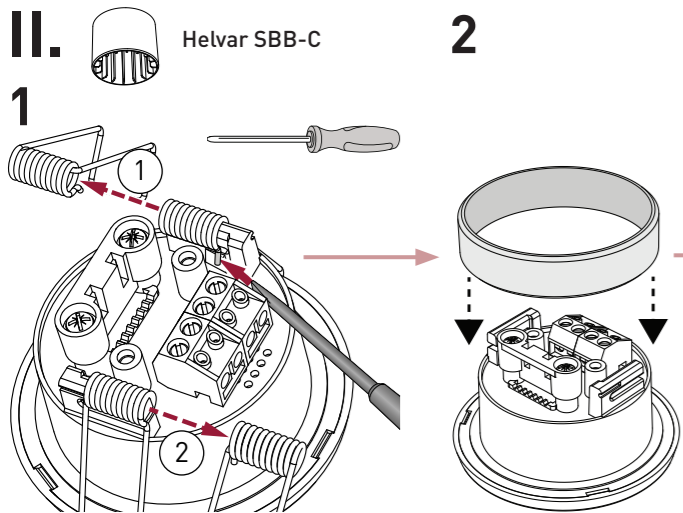
4



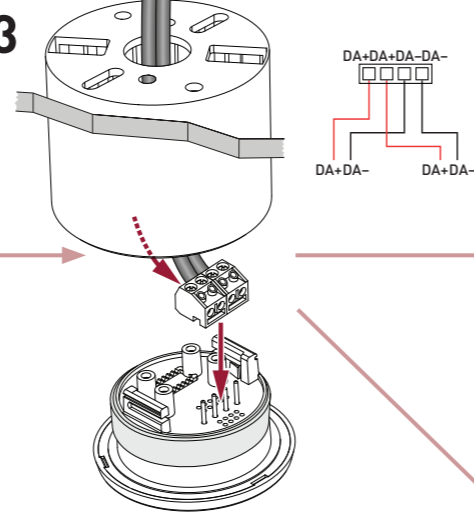
II.

Helvar SBB-C

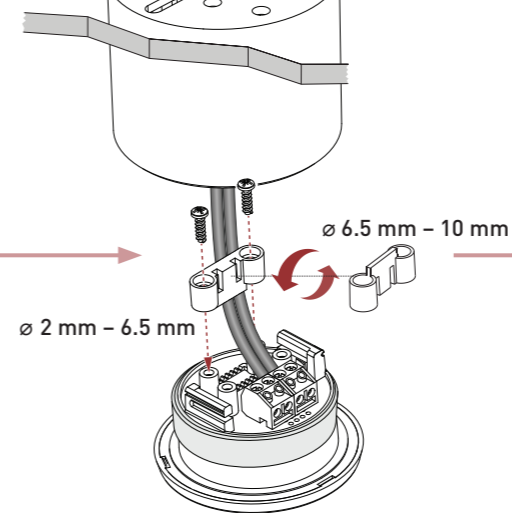
2



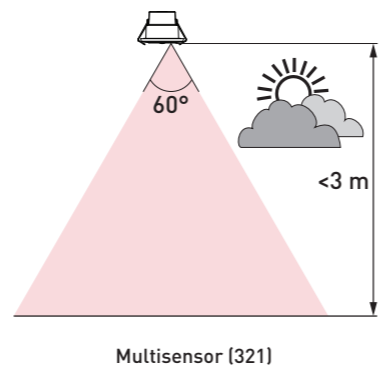
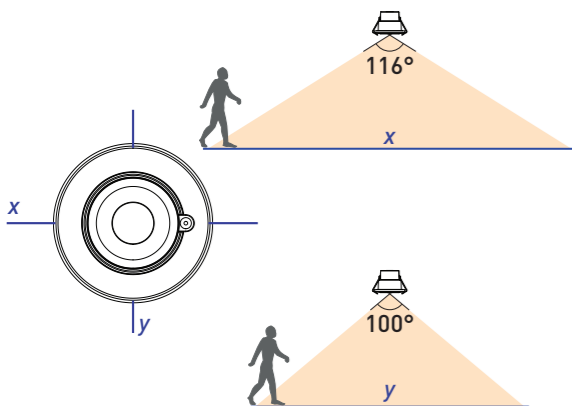
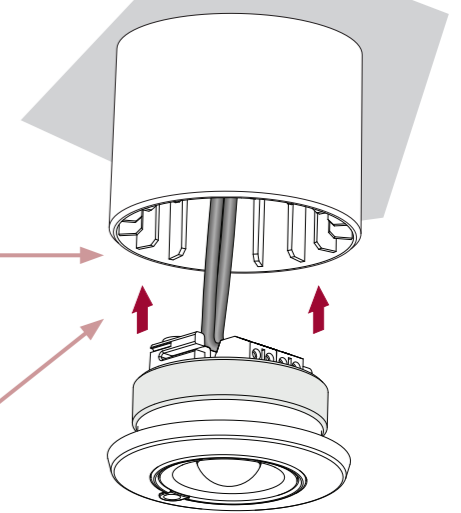
3



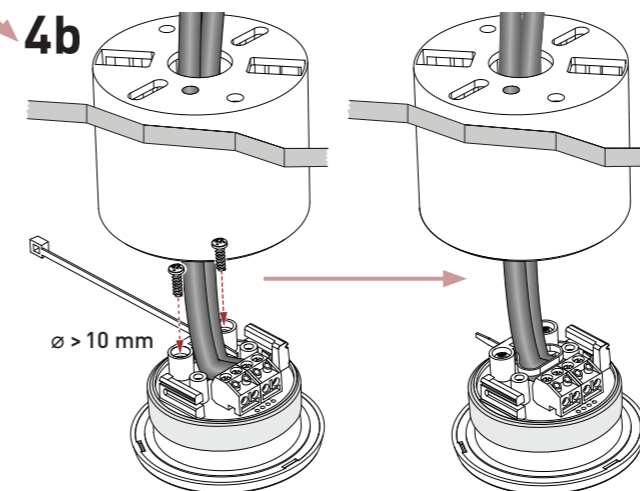
4a



5



4b



- FI Liiketunnistin (320, 320B) & Multisensori (321, 321B) Asennusohje
- SV PIR Sensor (320, 320B) & Multisensor (321, 321B) Monteringsanvisning
- IT Sensore PIR (320, 320B) & Multisensore (321, 321B) Guida all'installazione
- DE PIR Sensor (320, 320B) & Multisensor (321, 321B) Installationsanleitung
- FR PIR-Sensor (320, 320B) & Multi-capteur (321, 321B) Guide d'installation

<div> <div><b>Connections</b></div> <div>DALI: Removable connector block</div> <div>Wire section: 0.5<span> </span>mm² – 1.5<span> </span>mm² solid or stranded</div> <div>Cable rating: All cables must be mains rated.</div> <div><b>Power</b></div> <div>DALI supply input: 13<span> </span>V – 22.5<span> </span>V</div> <div>DALI consumption: 10<span> </span>mA</div> <div><b>Sensors</b></div> <div>Light sensor (321 only): For constant-light functions</div> <div>Presence detector: Passive infrared (PIR)</div> <div><b>Mechanical data</b></div> <div>Max. recommended mounting height: 4<span> </span>m</div> <div>Presence detection coverage area: 46<span> </span>m² @ 2.5<span> </span>m mounting height</div> <div>Mounting hole diameter: 52<span> </span>mm – 55<span> </span>mm</div> <div>Bezel diameter: 66<span> </span>mm</div> <div>Recommended clearance depth: 10<span> </span>cm (with cable cover, incl. 5<span> </span>cm for cabling)</div> <div>Material (casing): Nonflammable PC/ABS (UL94–V0)</div> </div>	
--	--


### SV Tekniska Data

<div> <div><b>Anslutningar</b></div> <div>DALI: Avtagbara 2-poliga kontakter</div> <div>Kabelstorlek: 0,5<span> </span>mm² – 1,5<span> </span>mm² en- eller flertrådig</div> <div>Kabelspecifikation: Alla kablar måste vara rätt dimensionerade och klassificerade.</div> <div><b>Drivspänning</b></div> <div>DALI-spänning: 13<span> </span>V – 22,5<span> </span>V</div> <div>DALI-strömförbrukning: 10<span> </span>mA</div> <div><b>Sensorer</b></div> <div>Ljussensor (bara 321): för konstant ljusfunktion</div> <div>Närvarosensor: Passiv infraröd sensor (PIR)</div> <div><b>Mekaniska data</b></div> <div>Maximal rekommenderad monteringshöjd: 4<span> </span>m</div> <div>Detektionsområde: 46<span> </span>m² @ 2,5<span> </span>m monteringshöjd</div> <div>Monteringshål diameter: 52<span> </span>mm – 55<span> </span>mm</div> <div>Monteringsram diameter: 66<span> </span>mm</div> <div>Rekommenderat monteringsdjup: 10<span> </span>cm (med kabelhölje, inkl. 5<span> </span>cm för kablage)</div> </div>	
---	--


### DE Technische Daten

<div> <div><b>Anschlüsse</b></div> <div>DALI: Steckbare Klemme</div> <div>Leitungsquerschnitt: 0,5<span> </span>mm² – 1,5<span> </span>mm² massiv oder feindrähtig</div> <div>Leitungsspezifikation: Alle Leitungen müssen netzspannungsfest ausgelegt sein.</div> <div><b>Stromversorgung</b></div> <div>DALI-Versorgungsspannung: 13<span> </span>V – 22,5<span> </span>V</div> <div>DALI-Verbrauch: 10<span> </span>mA</div> <div><b>Sensoren</b></div> <div>Lichtsensorn (nur 321): Für Konstantlichtregelung</div> <div>Bewegungssensor: Passiv-Infrarot Bewegungssensor (PIR)</div> <div><b>Mechanische Daten</b></div> <div>Maximal empfohlene Montagehöhe: 4<span> </span>m</div> <div>Erfassungsbereich</div> <div>Anwesenheitserkennung: 46<span> </span>m² bei 2,5<span> </span>m Montagehöhe</div> <div>Montagelochdurchmesser: 52<span> </span>mm – 55<span> </span>mm</div> <div>Gesamtdurchmesser: 66<span> </span>mm</div> <div>Empfohlene Einbautiefe: 10<span> </span>cm (mit Leitungsabdeckung, inkl. 5<span> </span>cm für die Verdrahtung)</div> </div>	
--	--

<div> <div><b>Finish / Colour:</b></div> <div>320, 321: Semi-matt / White RAL 9003</div> <div>320B, 321B: Semi-matt / Anthracite grey RAL 7016</div> <div><b>Weight:</b> 66,3<span> </span>g</div> <div><b>IP code:</b> IP30 [IP20 cable cover]</div> <div><b>Operating and storage conditions</b></div> <div>Ambient temperature: 0<span> </span>°C to +50<span> </span>°C</div> <div>Relative humidity: Max. 90<span> </span>%, noncondensing</div> <div>Storage temperature: −10<span> </span>°C to +70<span> </span>°C</div> <div><b>Conformity and standards</b></div> <div>EMC emission: EN 55015</div> <div>EMC immunity: EN 61547</div> <div>Safety: EN 61347-2-11</div> <div>Environment: Complies with WEEE and RoHS directives.</div> </div>	
---	--

<div> <div><b>Software compatibility</b></div> <div>Designer: 5.4 or later</div> <div>Toolbox: 2.4.2 or later</div> </div>	
--	--


<div> <div><b>Material (hölje):</b></div> <div>Icke-brandfarlig PC/ABS (UL94–V0)</div> <div><b>Ytbehandling / Färg:</b> 320, 321: Halvmatt / Vit RAL 9003</div> <div>320B, 321B: Halvmatt / Antracit Grå RAL 7016</div> <div><b>Vikt:</b> 66,3<span> </span>g</div> <div><b>IP-klass:</b> IP30 [IP20 kabelhölje]</div> <div><b>Drift- och lagringsförhållanden</b></div> <div>Omgivningstemperatur: 0<span> </span>°C till +50<span> </span>°C</div> <div>Relativ luftfuktighet: Max. 90<span> </span>%, icke-kondenserande</div> <div>Lagringstemperatur: −10<span> </span>°C till +70<span> </span>°C</div> <div><b>Överensstämmelse och standarder</b></div> <div>EMC-emission: EN 55015</div> <div>EMC-störimmunitet: EN 61547</div> <div>Säkerhet: EN 61347-2-11</div> <div>Miljö: Uppfyller WEE- och RoHS-direktiven.</div> <div><b>Mjukvarukompatibilitet</b></div> <div>Designer: 5.4 eller senare</div> <div>Toolbox: 2.4.2 eller senare</div> </div>	
--	--


<div> <div><b>Gehäusematerial:</b></div> <div>Nichtentflammbares PC/ABS (UL94–V0)</div> <div><b>Ausführung / Farbe:</b> 320, 321: Halbmatt / weiß, ähnlich RAL 9003</div> <div>320B, 321B: Halbmatt / Anthrazit grau RAL 7016</div> <div><b>Gewicht:</b> 66,3<span> </span>g</div> <div><b>IP-Klasse:</b> IP30 [IP20 Leitungsabdeckung]</div> <div><b>Betriebs- und Lagerbedingungen</b></div> <div>Umgebungstemperatur: 0<span> </span>°C bis +50<span> </span>°C</div> <div>Relative Luftfeuchtigkeit: Max. 90<span> </span>%, nichtkondensierend</div> <div>Lagertemperatur: −10<span> </span>°C bis +70<span> </span>°C</div> <div><b>Normen und Standards</b></div> <div>EMV-Störaussendung: EN 55015</div> <div>EMV-Störfestigkeit: EN 61547</div> <div>Sicherheit: EN 61347-2-11</div> <div>Umwelt: In Übereinstimmung mit WEEE und RoHS Richtlinie.</div> </div>	
--	--

<div> <div><b>Softwarekompatibilität</b></div> <div>Designer: 5.4 oder höher</div> <div>Toolbox: 2.4.2 oder höher</div> </div>	
--	--

### FI Tekniset tiedot

<div> <div><b>Liitännät</b></div> <div>DALI: Irrotettava 2-osainen liitin</div> <div>Johdinten koko: 0,5<span> </span>mm² – 1,5<span> </span>mm² jäykkä tai monisäikeinen</div> <div>Kaapeliluokitus: Kaapeleiden tulee soveltua verkkosähkölle.</div> <div><b>Teho</b></div> <div>DALI-syöttö: 13<span> </span>V – 22,5<span> </span>V</div> <div>DALI-virrankulutus: 10<span> </span>mA</div> <div><b>Sensorit</b></div> <div>Valoanturi (vain 321): Vakiovalo toiminoille</div> <div>Läsnäoloilmaisin: Passiivinen Infrapuna läsnäoloilmaisin (PIR)</div> <div><b>Mekaaniset tiedot</b></div> <div>Suosittelava maksimi asennuskorkeus: 4<span> </span>m</div> <div>Havaintoalue: 46<span> </span>m² @ 2,5<span> </span>m asennuskorkeus</div> <div>Asennusreiän halkaisija: 52<span> </span>mm – 55<span> </span>mm</div> <div>Peitelevyn halkaisija: 66<span> </span>mm</div> <div>Suositteltu asennusvälin syvyys: 10<span> </span>cm (kaapelisuojauksen kanssa, josta 5<span> </span>cm kaapeloinnille)</div> </div>	
---	--


### IT Dati tecnici

<div> <div><b>Collegamenti</b></div> <div>DALI: Connettori rimovibili a 2 poli</div> <div>Sezione del cavo: 0,5<span> </span>mm² – 1,5<span> </span>mm² rigido o flessibile</div> <div>Grado del cavo: Tutti i cavi devono avere isolamento per tensione di rete.</div> <div><b>Alimentazione</b></div> <div>Ingresso di alimentazione DALI: 13<span> </span>V – 22,5<span> </span>V</div> <div>Assorbimento DALI: 10<span> </span>mA</div> <div><b>Sensori</b></div> <div>Sensore di luce (solo 321): Per il controllo della luce costante</div> <div>Sensore di presenza: Sensore a infrarossi passivo (PIR)</div> <div><b>Dati meccanici</b></div> <div>Altezza di montaggio massima consigliata: 4<span> </span>m</div> <div>Zona di copertura del riconoscimento di presenza: 46<span> </span>m² per altezza di montaggio 2,5<span> </span>m</div> <div>Diametro del foro di montaggio: 52<span> </span>mm – 55<span> </span>mm</div> <div>Diametro della ghiera di fissaggio: 66<span> </span>mm</div> </div>	
---	--



<div> <div><b>Connexions</b></div> <div>DALI<span> </span>: Bloc de connecteur DIGIDIM détachable</div> <div>Section du câble<span> </span>: 0,5<span> </span>mm² – 1,5<span> </span>mm² rigide ou souple</div> <div>Degré du câble<span> </span>: Tous les câbles doivent être prévus pour 230<span> </span>V.</div> </div>	
--	--

<div> <div><b>Puissance</b></div> <div>Entrée d’alimentation DALI<span> </span>: 13<span> </span>V – 22,5<span> </span>V</div> <div>Consommation DALI<span> </span>: 10<span> </span>mA</div> <div><b>Capteurs</b></div> <div>Cellule photo (seulement 321)<span> </span>: Pour la luminosité constante</div> <div>Détecteur de présence<span> </span>: Détecteur de présence infrarouge passif (PIR)</div> </div>	
--	--

<div> <div><b>Caractéristiques mécaniques</b></div> <div>Hauteur de montage maximum recommandée<span> </span>: 4<span> </span>m</div> <div>Zone de couverture de la détec-tion de présence<span> </span>: 46<span> </span>m² pour une hauteur de montage de 2,5<span> </span>m</div> <div>Diamètre du trou de montage<span> </span>: 52<span> </span>mm – 55<span> </span>mm</div> <div>Diamètre de face de montage<span> </span>: 66<span> </span>mm</div> </div>	
--	--

<div> <div><b>Materiaali (kotelon):</b></div> <div>Pintakäsittely / Väri: 320, 321: Puolihihmeä / Valkoinen RAL 9003</div> <div>320B, 321B: Puolihihmeä / Antrasiitti harmaa RAL 7016</div> <div><b>Paino:</b> 66,3<span> </span>g</div> <div><b>IP-luokka:</b> IP30 [IP20 kaapelisuojaus]</div> <div><b>Käyttö- ja säilytysolosuhteet</b></div> <div>Ympäristön lämpötila: 0<span> </span>°C .. +50<span> </span>°C</div> <div>Suhteellinen kosteus: Maks. 90<span> </span>%, ei tiivistymistä</div> <div>Säilytyslämpötila: −10<span> </span>°C .. +70<span> </span>°C</div> <div><b>Luokitukset ja standardit</b></div> <div>EMC Säteily: EN 55015</div> <div>EMC häiriönsieto: EN 61547</div> <div>Sähköturvallisuus: EN 61347-2-11</div> <div>Ympäristösäädökset: Täyttää WEEE ja RoHS säädökset.</div> <div><b>Yhteensopivat ohjelmistot</b></div> <div>Designer: 5.4 tai uudemmat</div> <div>Toolbox: 2.4.2 tai uudemmat</div> </div>	
--	--


<div> <div><b>Profondità di installazione consigliata:</b></div> <div>Involucro: PC/ABS non infiammabile (UL94–V0)</div> <div>Finitura / Colore: Semiopaco / Bianco RAL 9003</div> <div>Semiopaco / Grigio antracite RAL 7016</div> <div><b>Peso:</b> 66,3<span> </span>g</div> <div>Grado IP: IP30 [serracavo IP20]</div> <div><b>Condizioni operative e di immagazzinamento</b></div> <div>Temperatura ambiente: 0<span> </span>°C a +50<span> </span>°C</div> <div>Umidità relativa: Max. 90<span> </span>%, senza condensa</div> <div>Temperatura di immagazzinamento: −10<span> </span>°C a +70<span> </span>°C</div> <div><b>Conformità e standard</b></div> <div>Emissioni EMC: EN 55015</div> <div>Immunità EMC: EN 61547</div> <div>Sicurezza: EN 61347-2-11</div> <div>Ambientali: Soddisfa le direttive WEEE e RoHS.</div> <div><b>Compatibilità software</b></div> <div>Designer: 5.4 o superiore</div> <div>Toolbox: 2.4.2 o superiore</div> </div>	
--	--


<div> <div><b>Profondeur de dégagement recommandée<span> </span>:</b></div> <div>Matériel (boitier)<span> </span>: PC/ABS non-inflammable (UL94–V0)</div> <div>Finition / Couleur<span> </span>: Semi mat / Blanc RAL 9003</div> <div>Semi-mat / Gris anthracite RAL 7016</div> <div><b>Poids<span> </span>:</b> 66,3<span> </span>g</div> <div>Protection IP<span> </span>: IP30 [couverture du câble IP20]</div> <div><b>Conditions d’utilisation et de stockage</b></div> <div>Température ambiante<span> </span>: 0<span> </span>°C à +50<span> </span>°C</div> <div>Humidité relative<span> </span>: Max. 90<span> </span>%, pas de condensation</div> <div>Température de stockage<span> </span>: −10<span> </span>°C à +70<span> </span>°C</div> <div><b>Normes et conformité</b></div> <div>Émission CEM<span> </span>: EN 55015</div> <div>Immunité CEM<span> </span>: EN 61547</div> <div>Sécurité<span> </span>: EN 61347-2-11</div> <div>Environnement<span> </span>: Compatible avec WEEE et RoHS.</div> <div><b>Compatibilité logicielle</b></div> <div>Designer<span> </span>: 5.4 ou supérieure</div> <div>Toolbox: 2.4.2 ou supérieure</div> </div>	
--	--