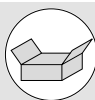
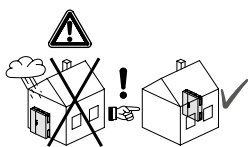
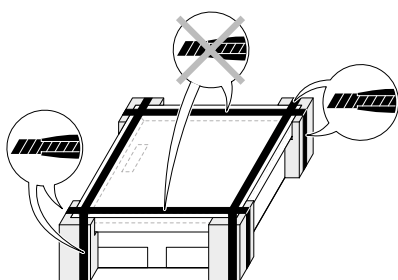


FW..U.., FW..E..

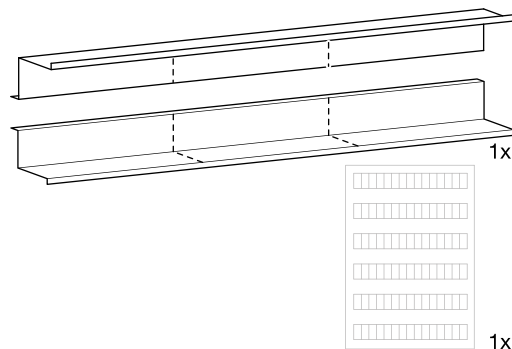
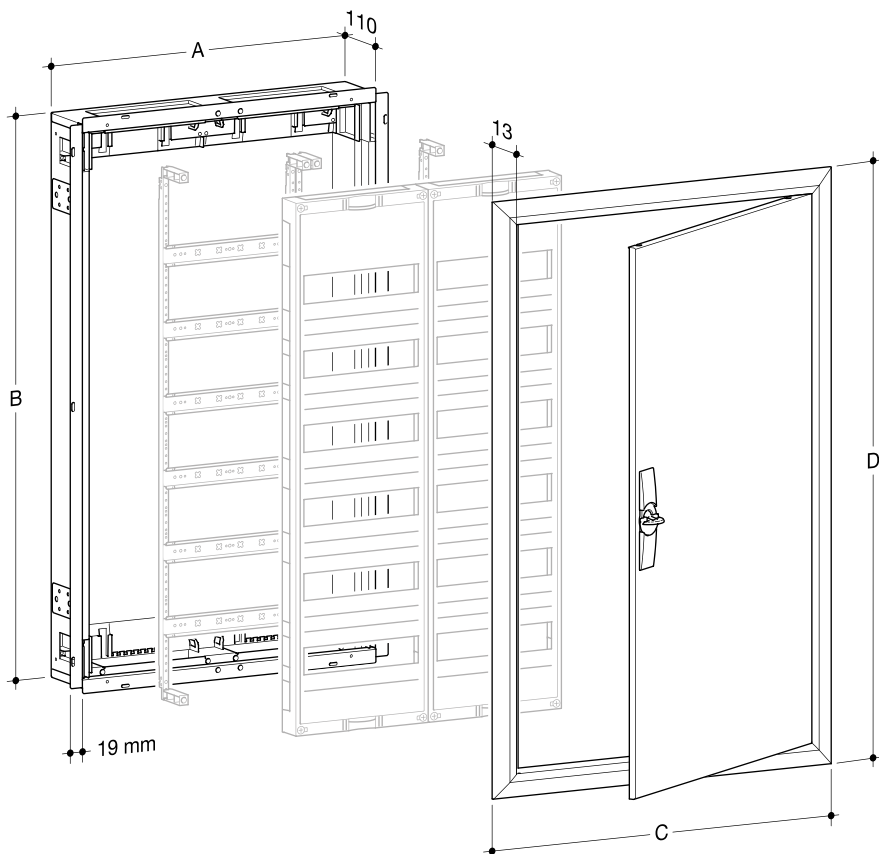
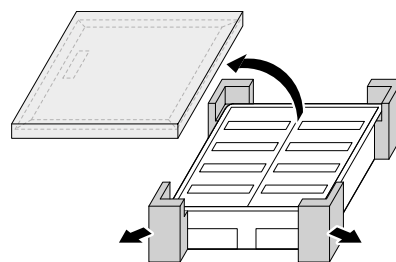
- | | | | |
|------|--------------------------|------|---------------------------|
| (DE) | Montageanleitung | (HU) | Szerelési útmutató |
| (FR) | Notice d'instructions | (LT) | Montavimo instrukcija |
| (EN) | Mounting instructions | (LV) | Montāžas instrukcija |
| (NL) | Montage instructie | (PL) | Instrukcja montażowa |
| (DA) | Monteringsvejledning | (RO) | Intrucțiuni de montare |
| (FI) | Asennusohje | (SK) | Návod na montáž |
| (NO) | Montasjeanvisning | (RU) | ЕИ[Указания по установке |
| (SV) | Monterings instruktioner | (BG) | Инструкции за монтаж |
| (IT) | Istruzioni di montaggio | (EL) | Οδηγίες χώνευσης |
| (ES) | Instrucciones de montaje | (IS) | Leiðbeiningar |
| (PT) | Instruções de montagem | (AR) | دليل الاستعمال |
| (CS) | Montážní návod | (UK) | Інструкції з установки |
| (BS) | Uputstvo za montažu | | |
| (HR) | Upute za montažu | | |



①

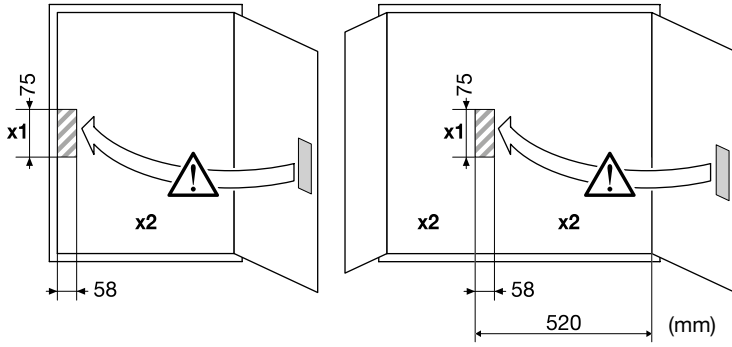


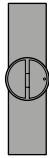
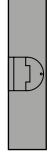
②



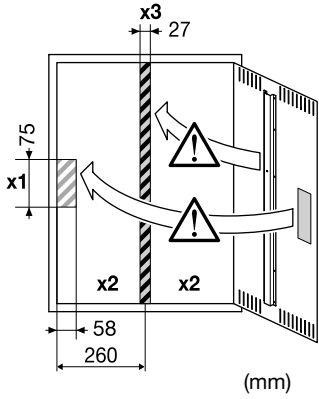
	A (mm)	B (mm)	C (mm)	D (mm)
FW31..	305	502	353	553
FW32..	555	502	603	553
FW33..	805	502	853	553
FW41..	305	652	353	703
FW42..	555	652	603	703
FW43..	805	652	853	703
FW51..	305	802	353	853
FW52..	555	802	603	853
FW53..	805	802	853	853
FW54..	1055	802	1103	853
FW61..	305	952	353	1003
FW62..	555	952	603	1003
FW63..	805	952	853	1003
FW64..	1055	952	1103	1003
FW71..	305	1102	353	1153
FW72..	555	1102	603	1153
FW73..	805	1102	853	1153
FW81..	305	1252	353	1303

FW31, 41, 51, 61, 71... FW33, 43...

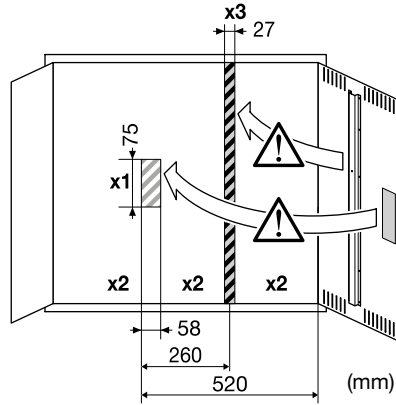


		A (mm)	B (mm)	C (mm)
FZ598N		8,5	23	31,5
FZ598		6	17	23

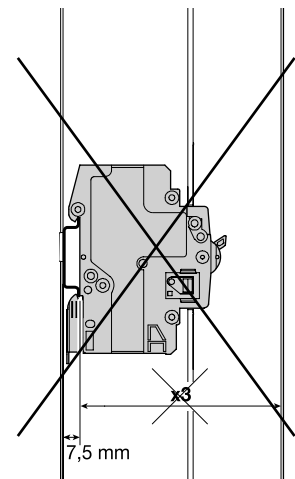
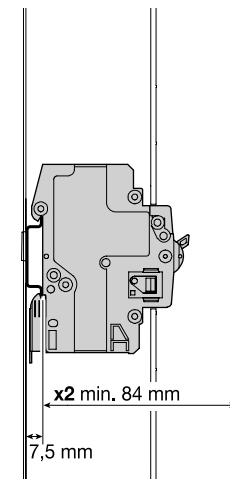
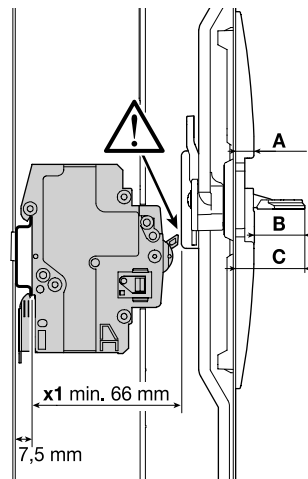
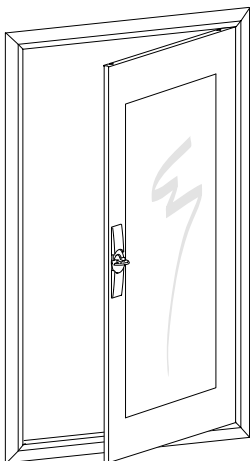
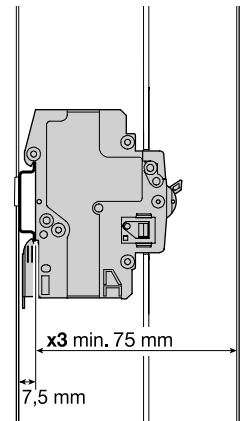
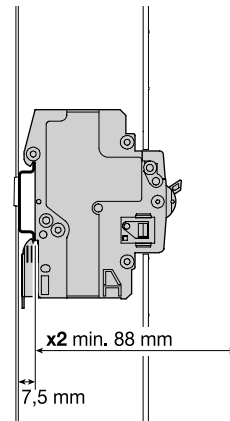
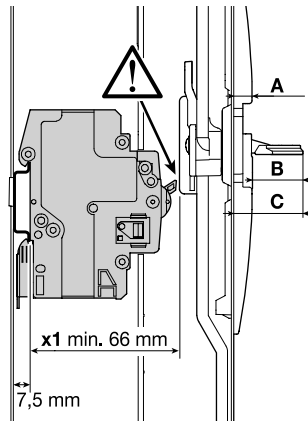
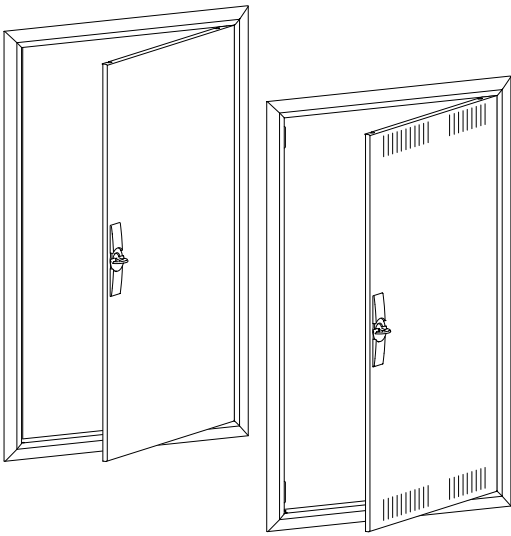
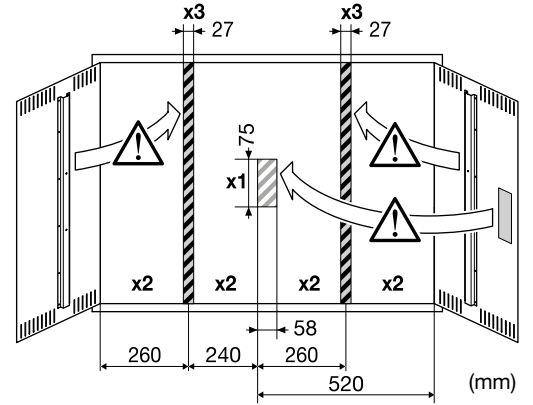
FW52, 62, 72...

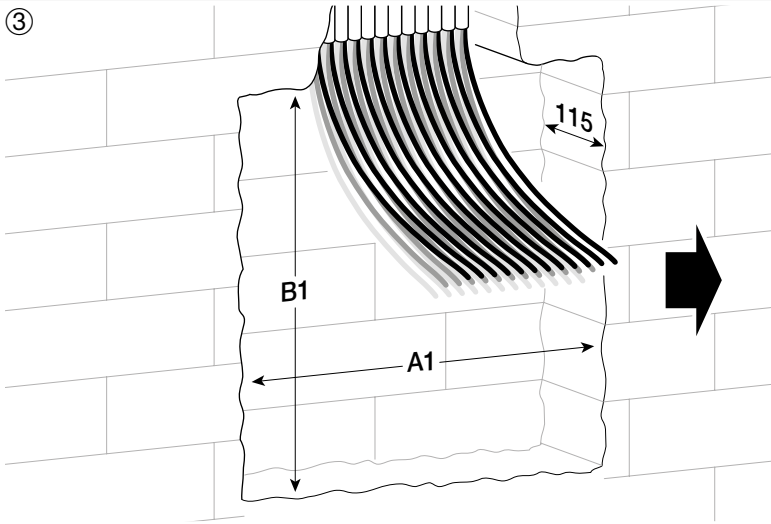


FW53, 63, 73...



FW54, 64...

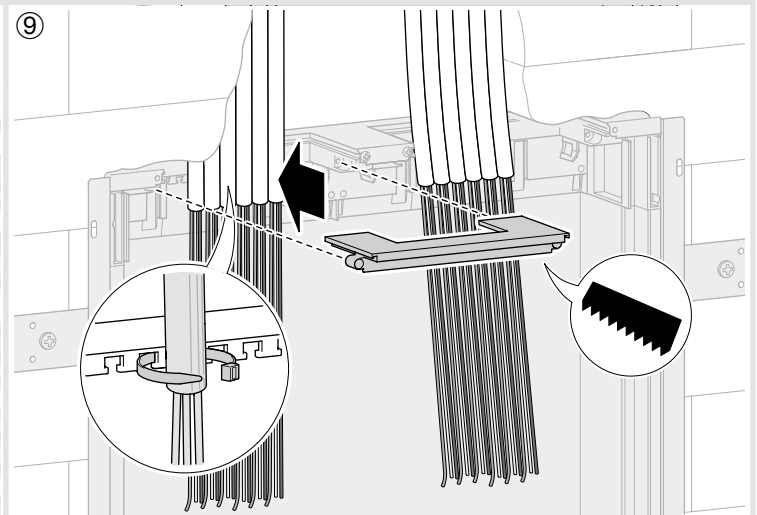
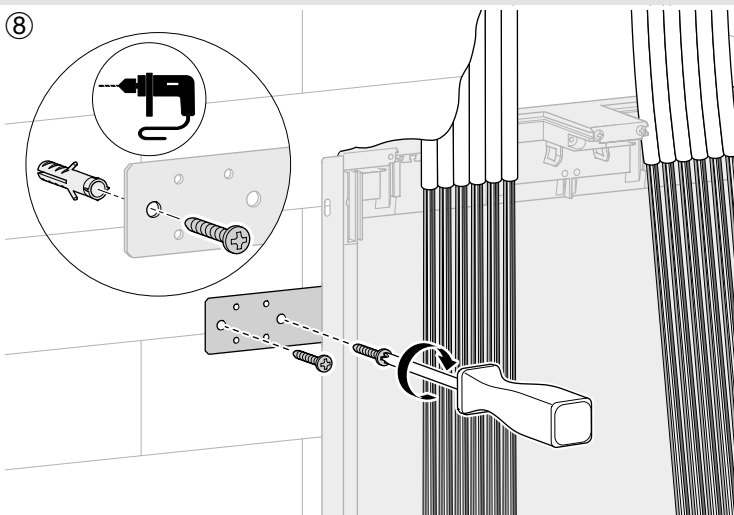
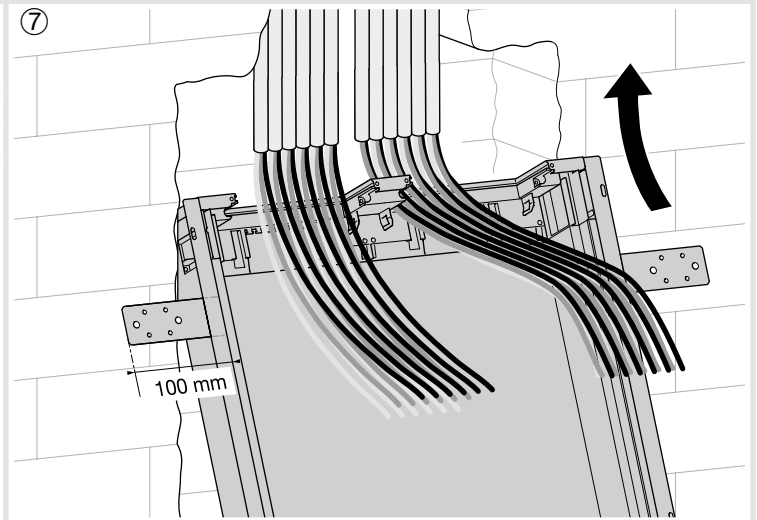
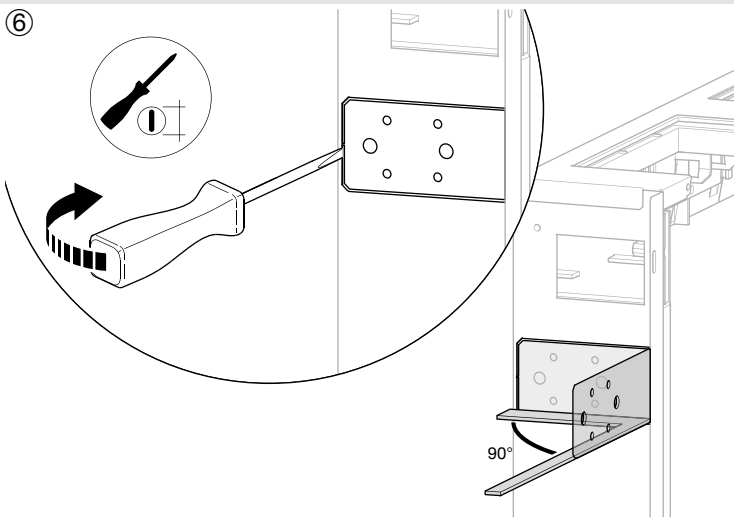
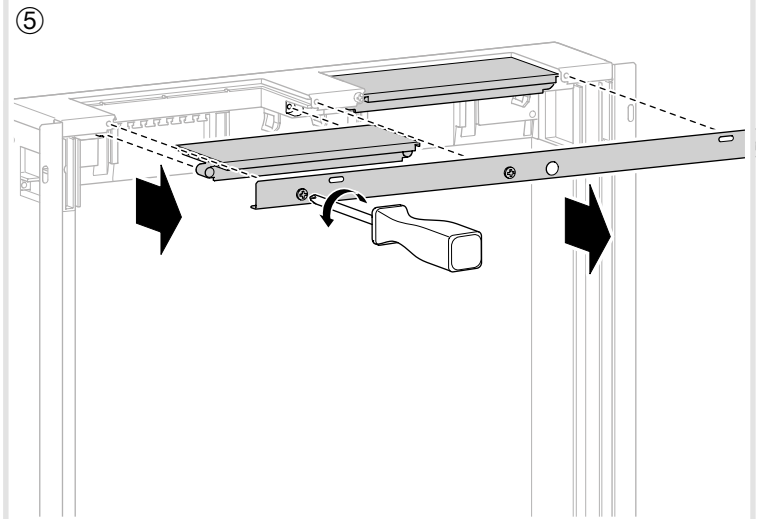
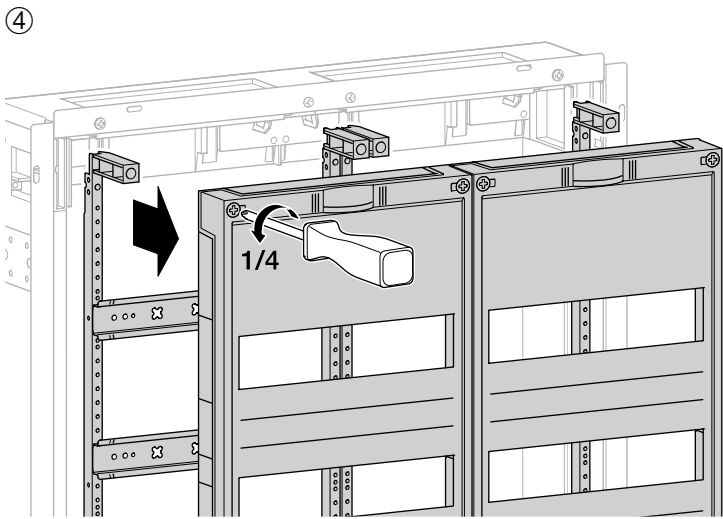


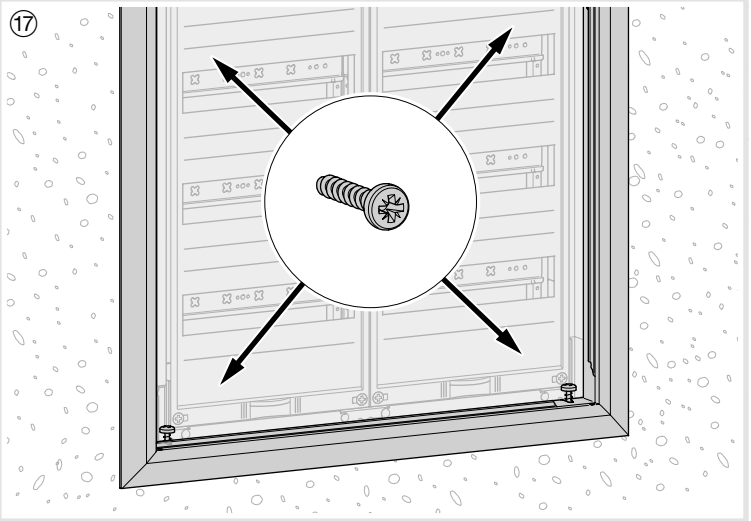
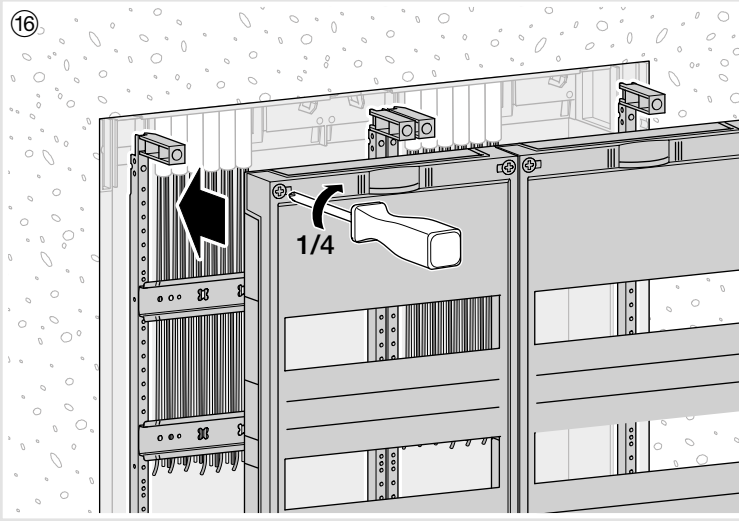
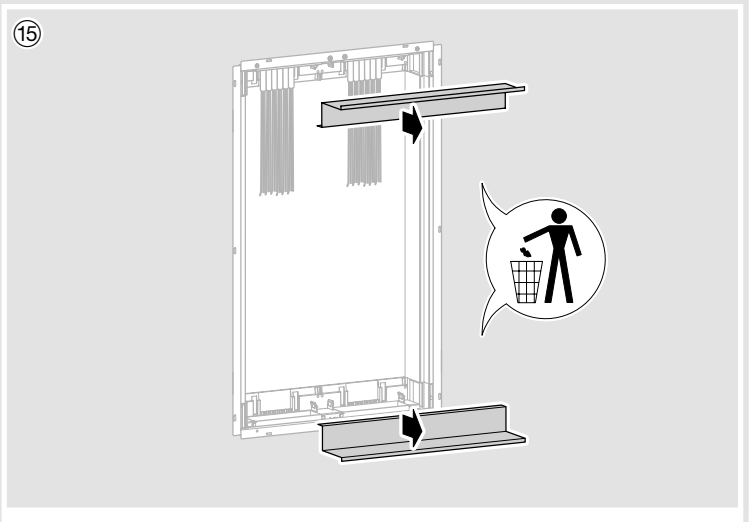
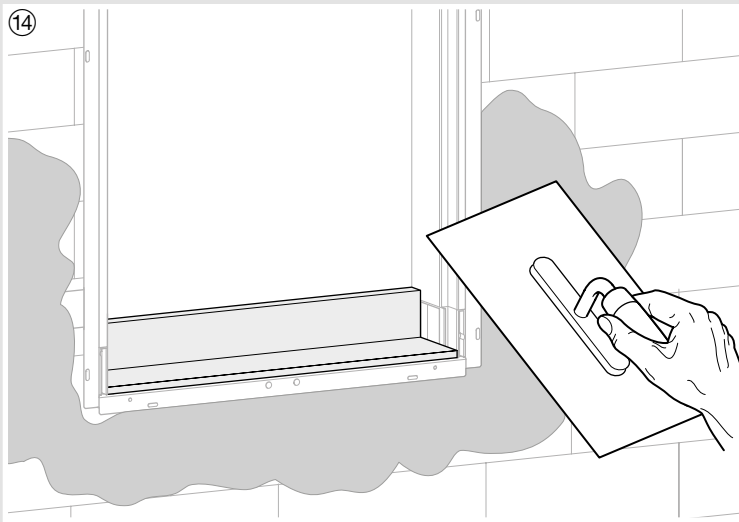
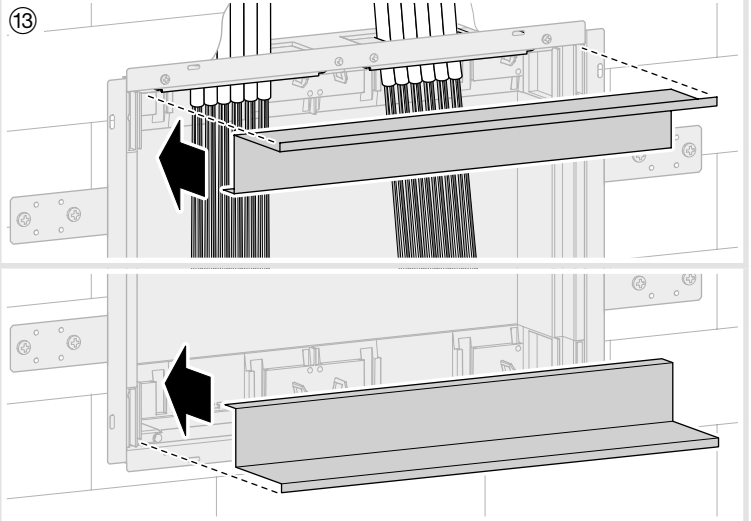
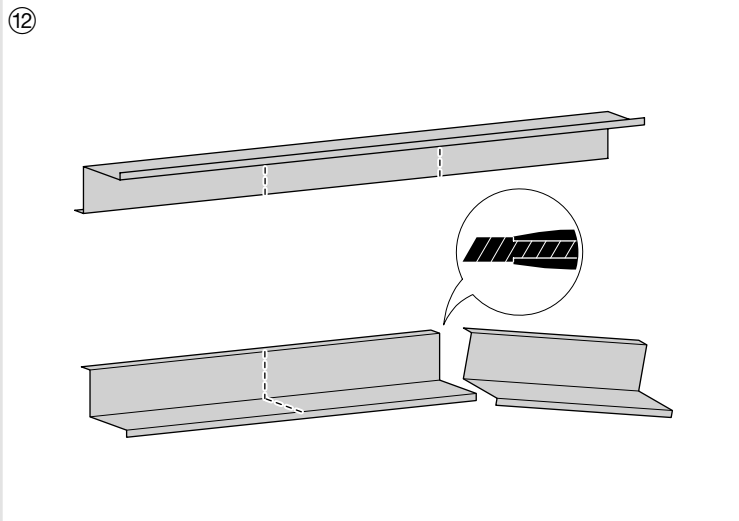
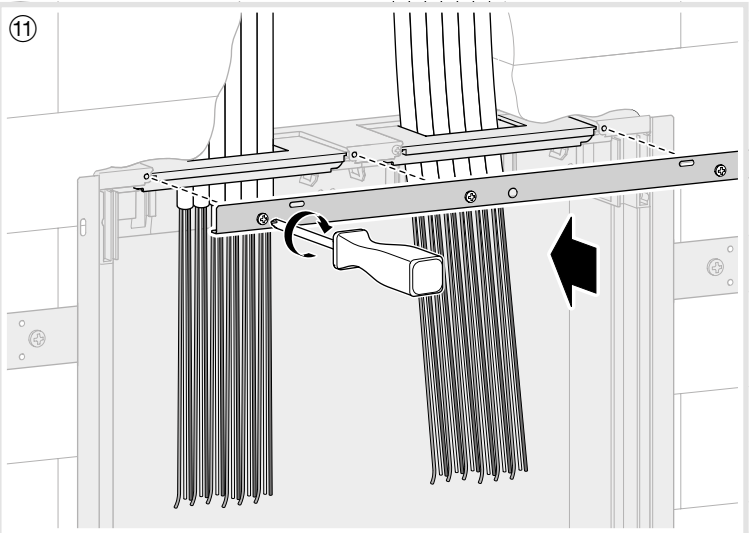
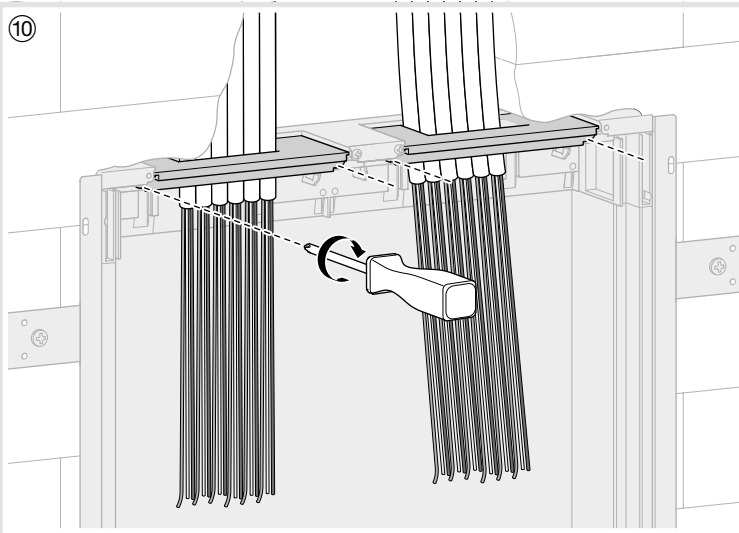


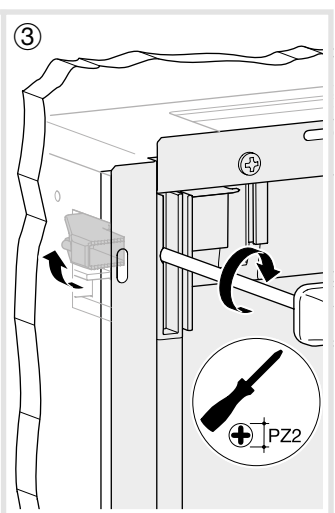
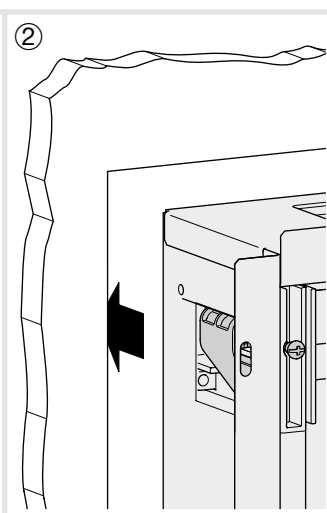
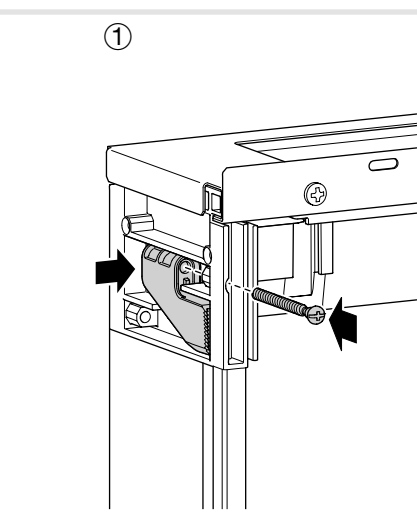
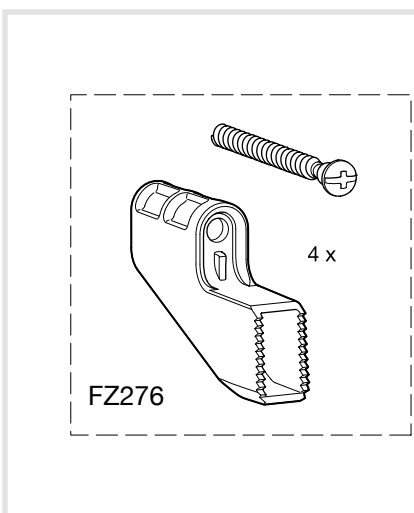
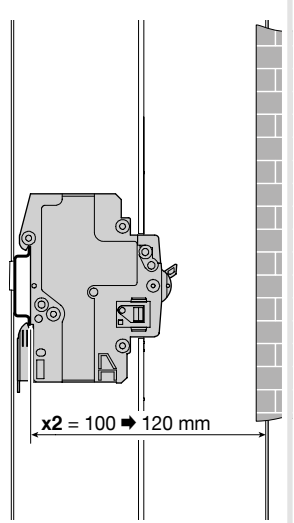
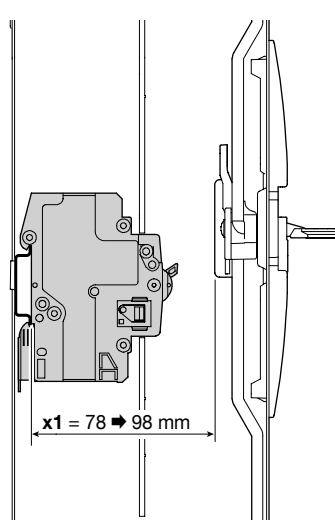
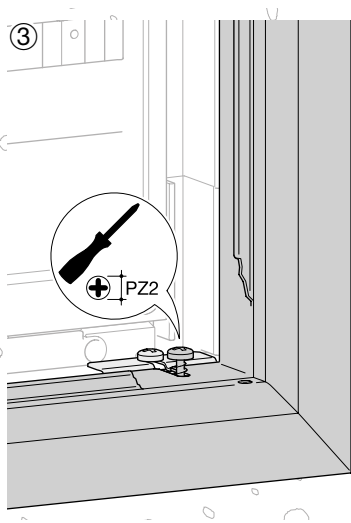
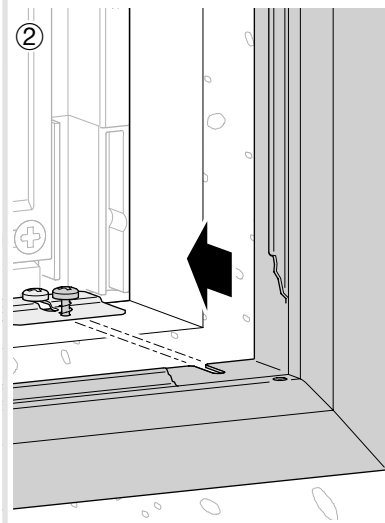
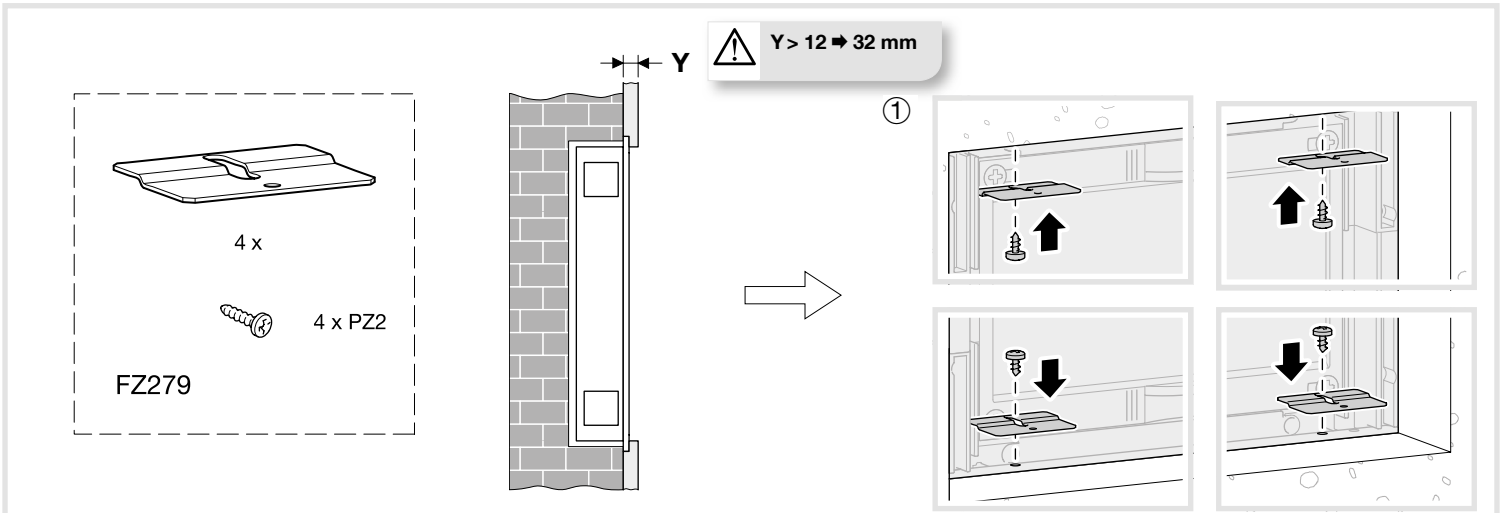
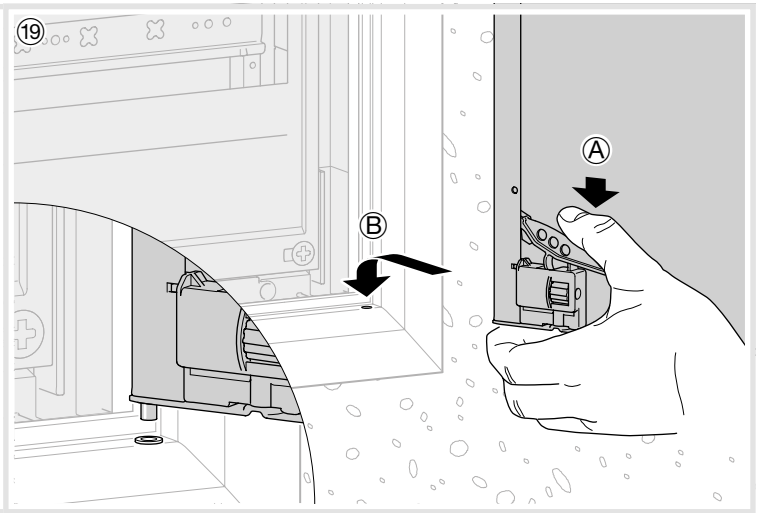
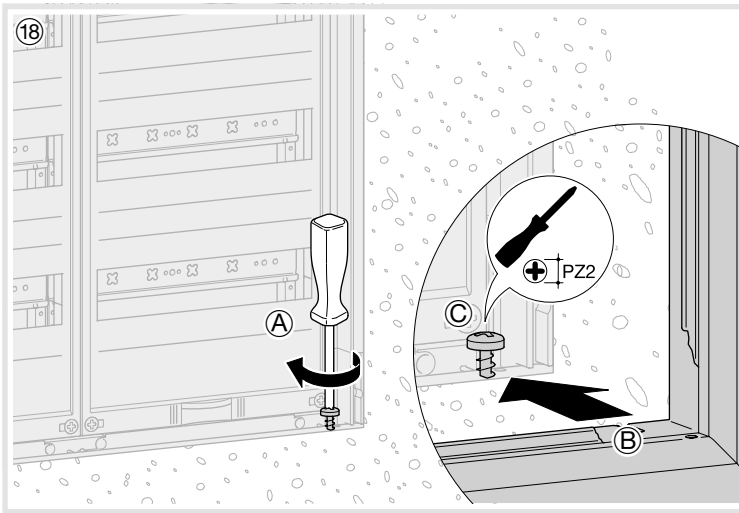
	A (mm)	B (mm)
FW31..	305	502
FW32..	555	502
FW33..	805	502
FW41..	305	652
FW42..	555	65
FW43..	805	
FW51..		
FW52		

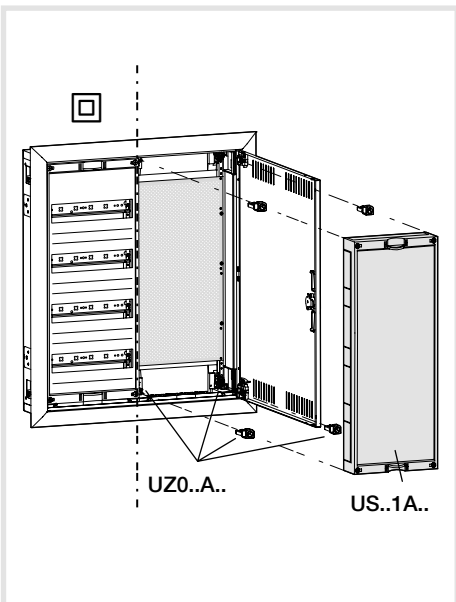
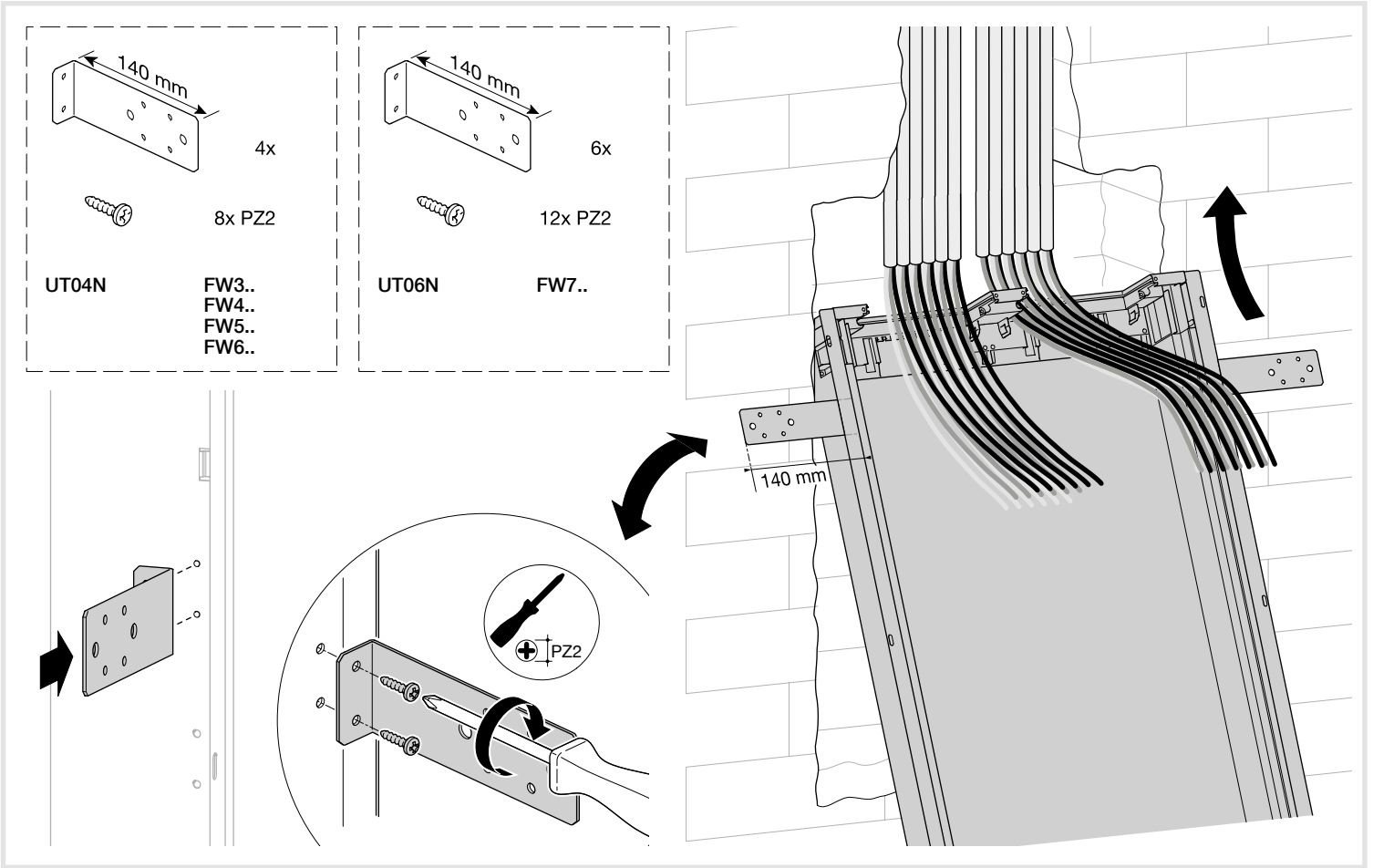
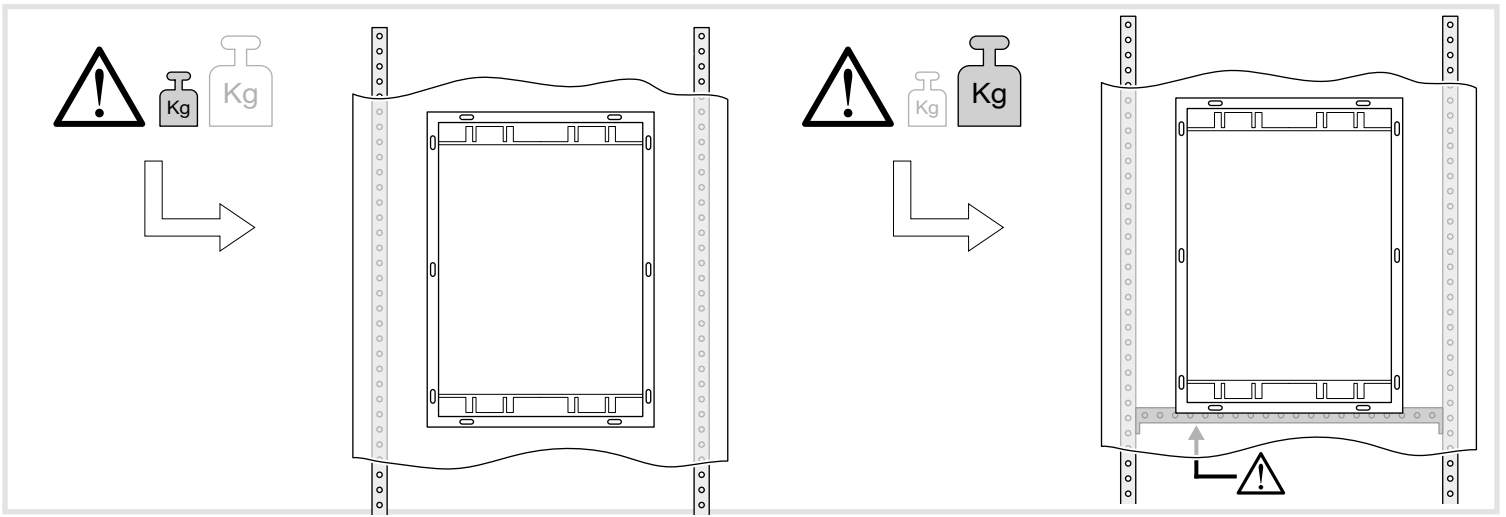



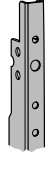



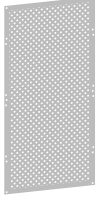
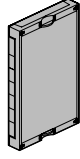
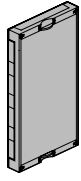
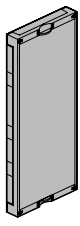
A1 = A + 5 mm
B1 = B + 5 mm









	UN0..FN	UZ03A1	UZ01A2	UZ04A1	UZ..1M..	US31A1	US41A1	US51A1
								
FW3....	1x UN03FN	2x	4x		1x UZ31M5/M6	1x		
FW4....	1x UN04FN	2x	4x		1x UZ41M5/M6		1x	
FW5....	1x UN05FN	2x	4x		1x UZ51M5/M6			1x
FW6....	1x UN06FN	2x	4x	2x	2x UZ31M5/M6	2x		
FW7....	1x UN07FN	2x	4x	2x	1x UZ31M5/M6 1x UZ41M5/M6	1x	1x	