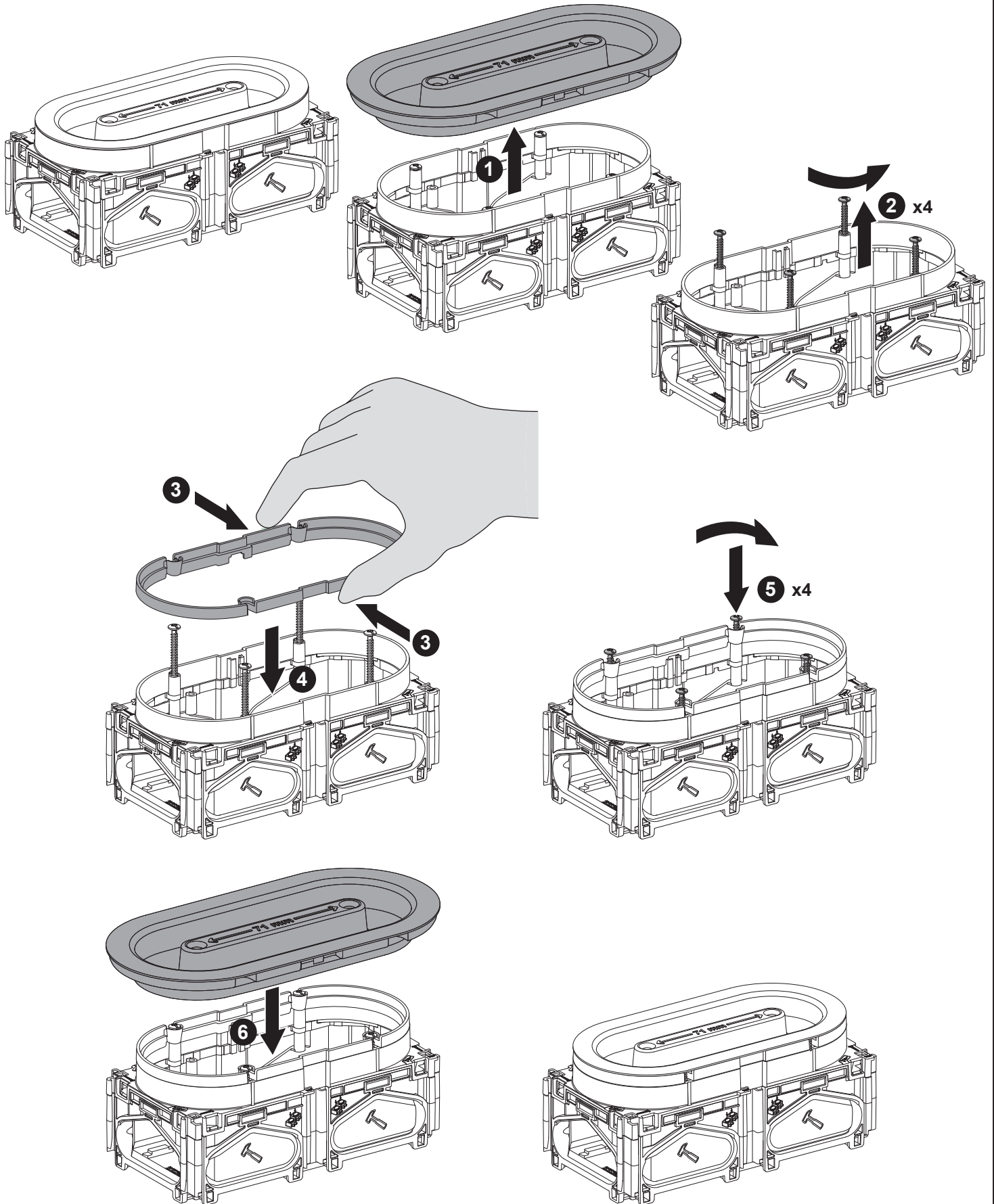




Flexi + 2M extension ring 6mm



NNZ5673800-00

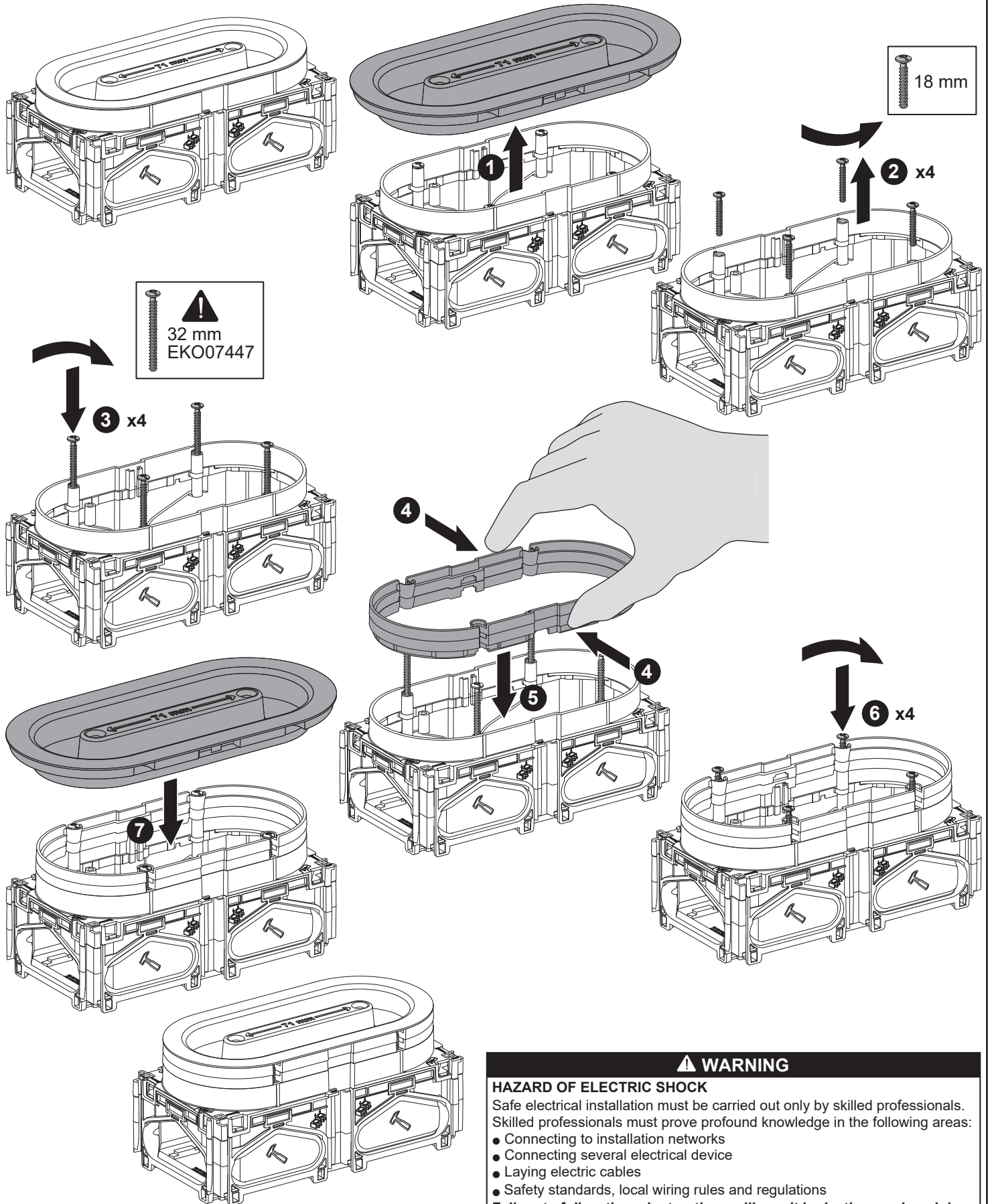
ELKO AB,
Box 5115,
121 17 Johanneshov
www.elko.se/kundsupport

ELKO AS,
Pb. 6598 Etterstad, 0607 Oslo
www.proff.elko.no/kontakt-oss





Flexi + 2M extension ring 6mm



⚠️ WARNING

HAZARD OF ELECTRIC SHOCK

Safe electrical installation must be carried out only by skilled professionals. Skilled professionals must prove profound knowledge in the following areas:

- Connecting to installation networks
- Connecting several electrical device
- Laying electric cables
- Safety standards, local wiring rules and regulations

Failure to follow these instructions will result in death or serious injury.

NNZ5673800-00

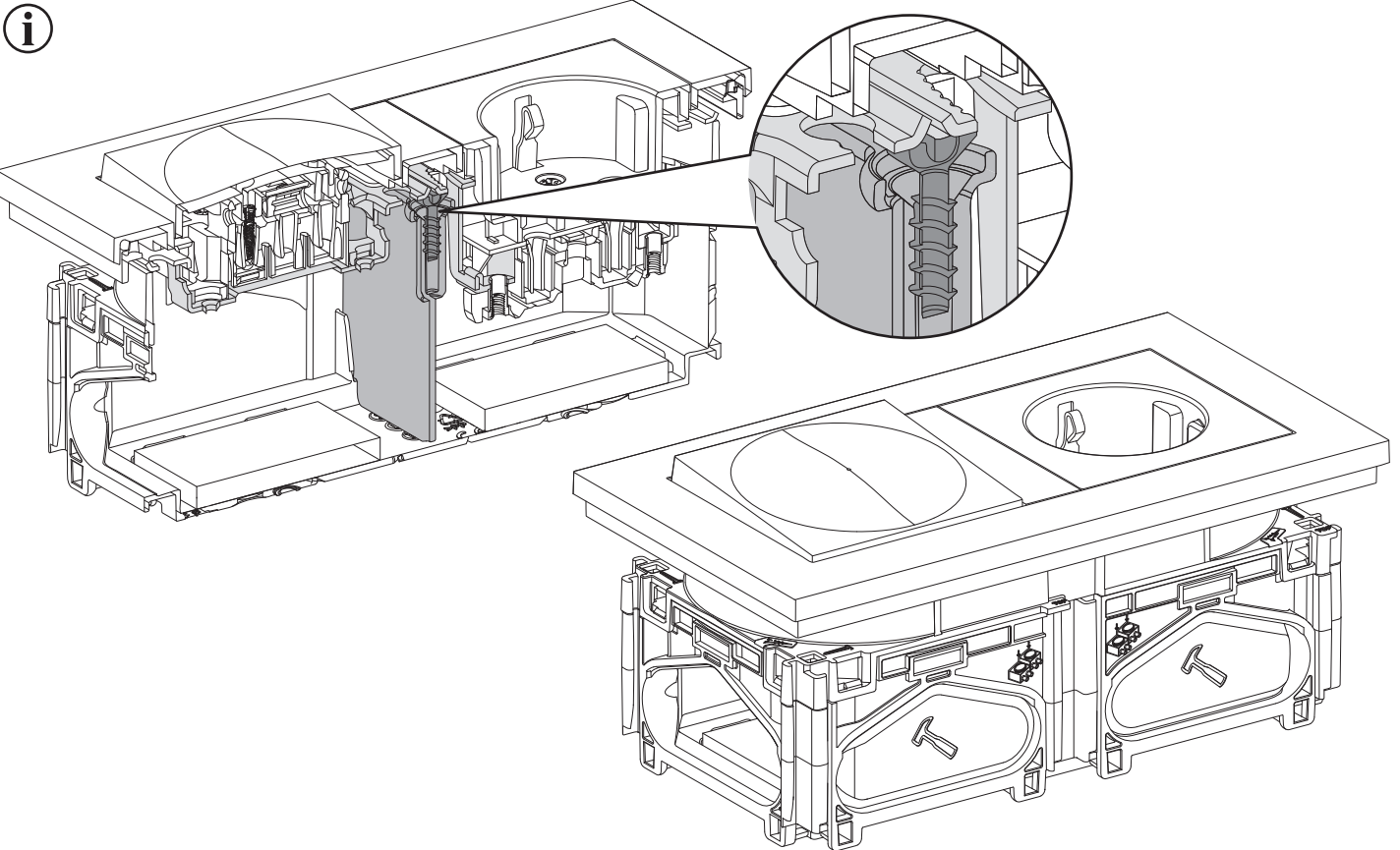
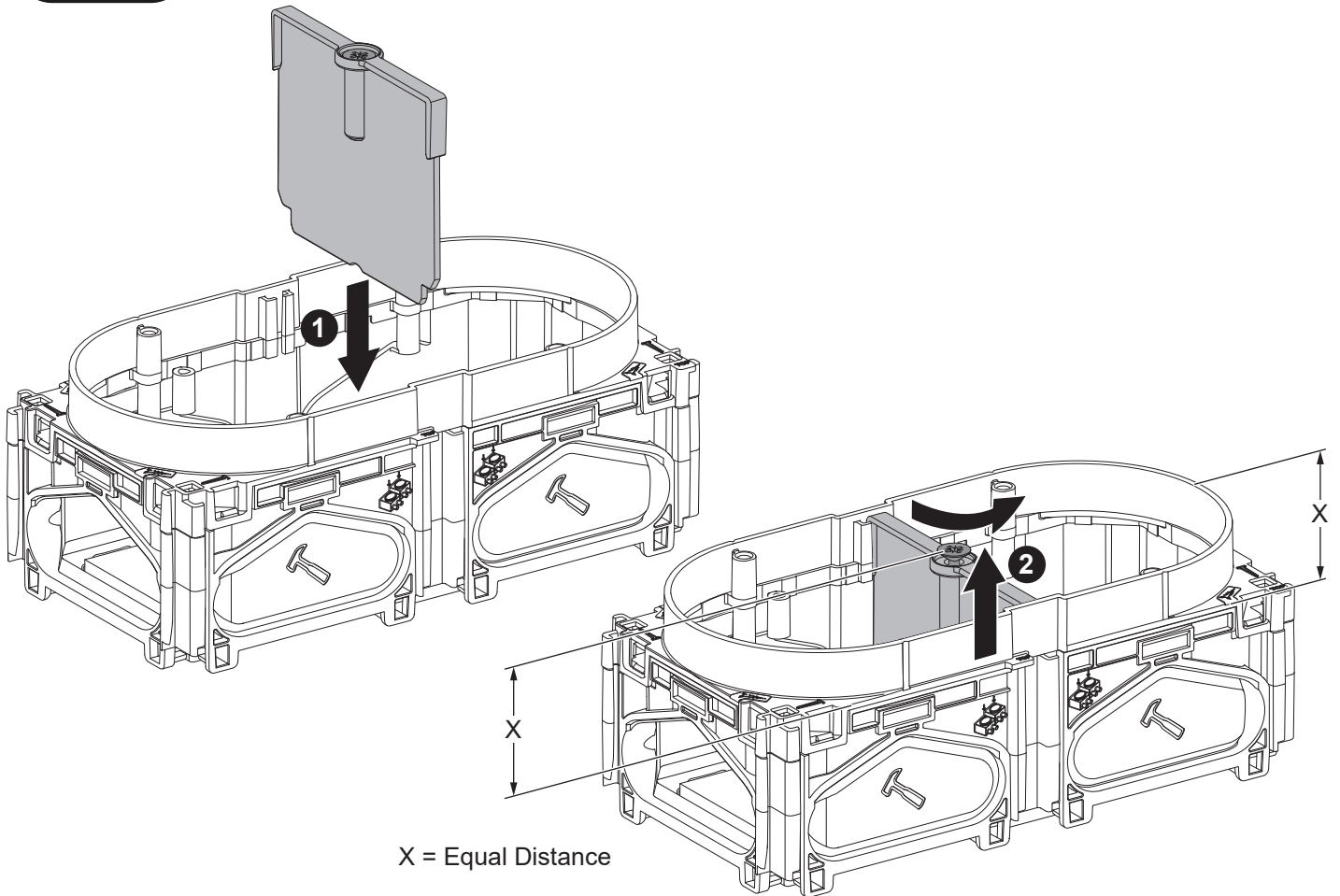
ELKO AB,
Box 5115,
121 17 Johanneshov
www.elko.se/kundsupport

ELKO AS,
Pb. 6598 Etterstad, 0607 Oslo
www.proff.elko.no/kontakt-oss





Flexi + 2M apparatus box separation wall



NNZ5677100-00

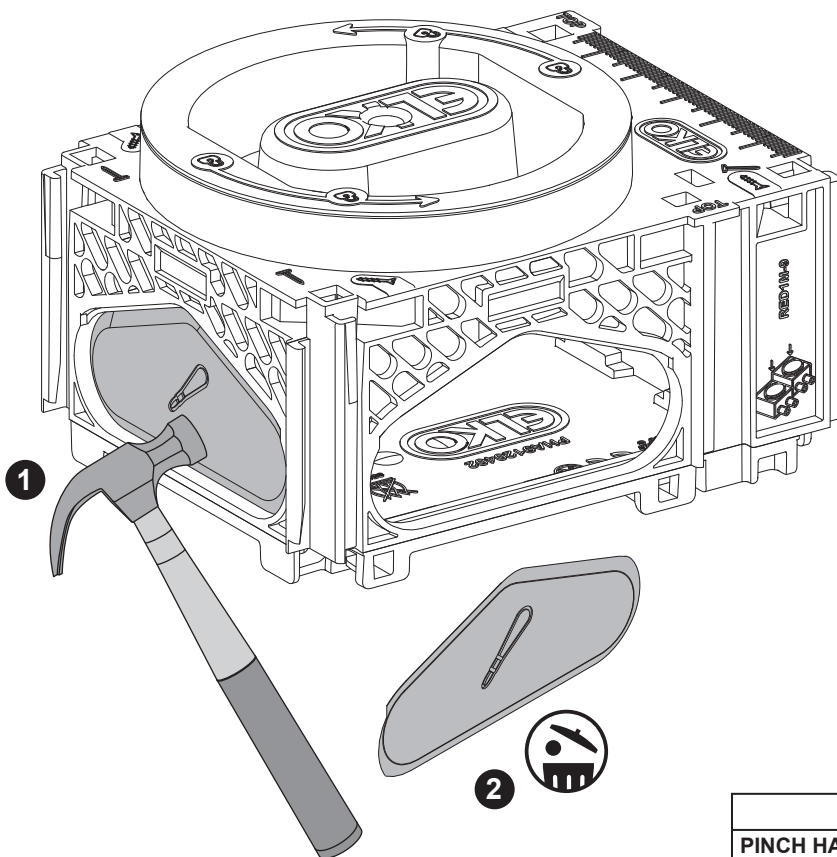
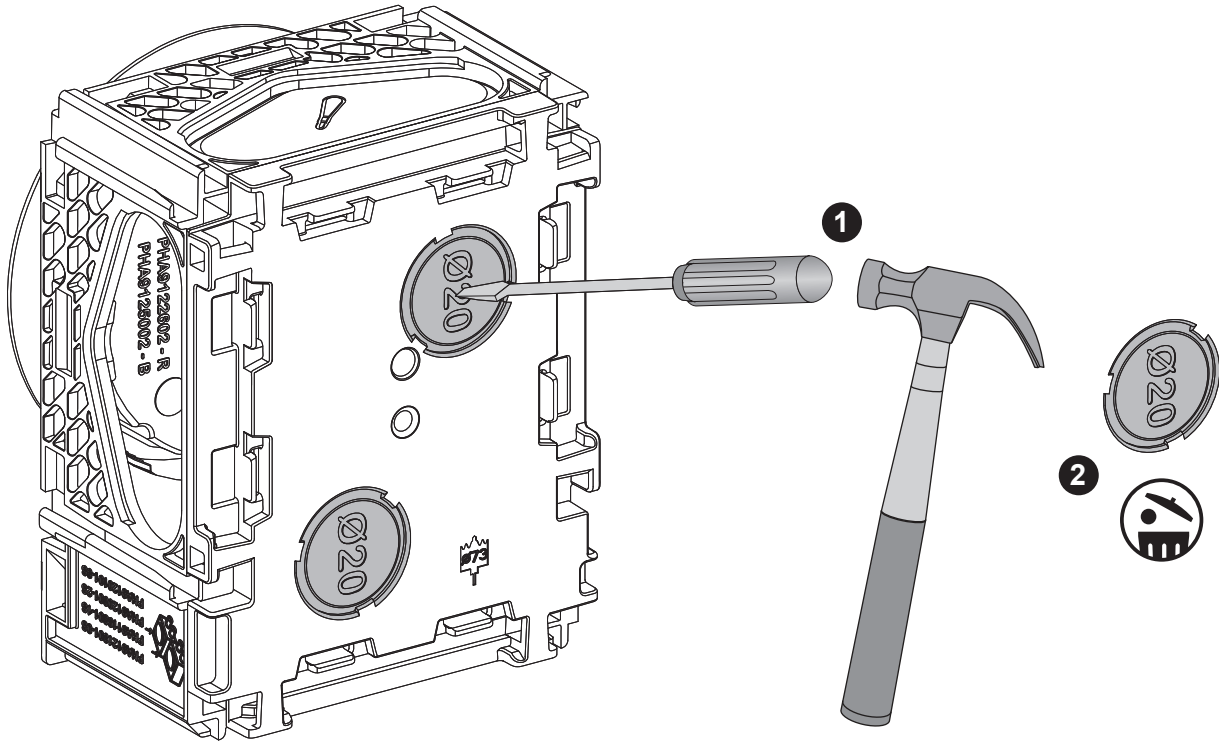
ELKO AB,
Box 5115,
121 17 Johanneshov
www.elko.se/kundsupport

ELKO AS,
Pb. 6598 Etterstad, 0607 Oslo
www.proff.elko.no/kontakt-oss





Flexi + apparatus box - opening knockouts



⚠ CAUTION

PINCH HAZARD

Clear hand / fingers off the strike surface before a hammer blow.
Failure to follow these instructions can result in minor or moderate injury.

NNZ5674200-00

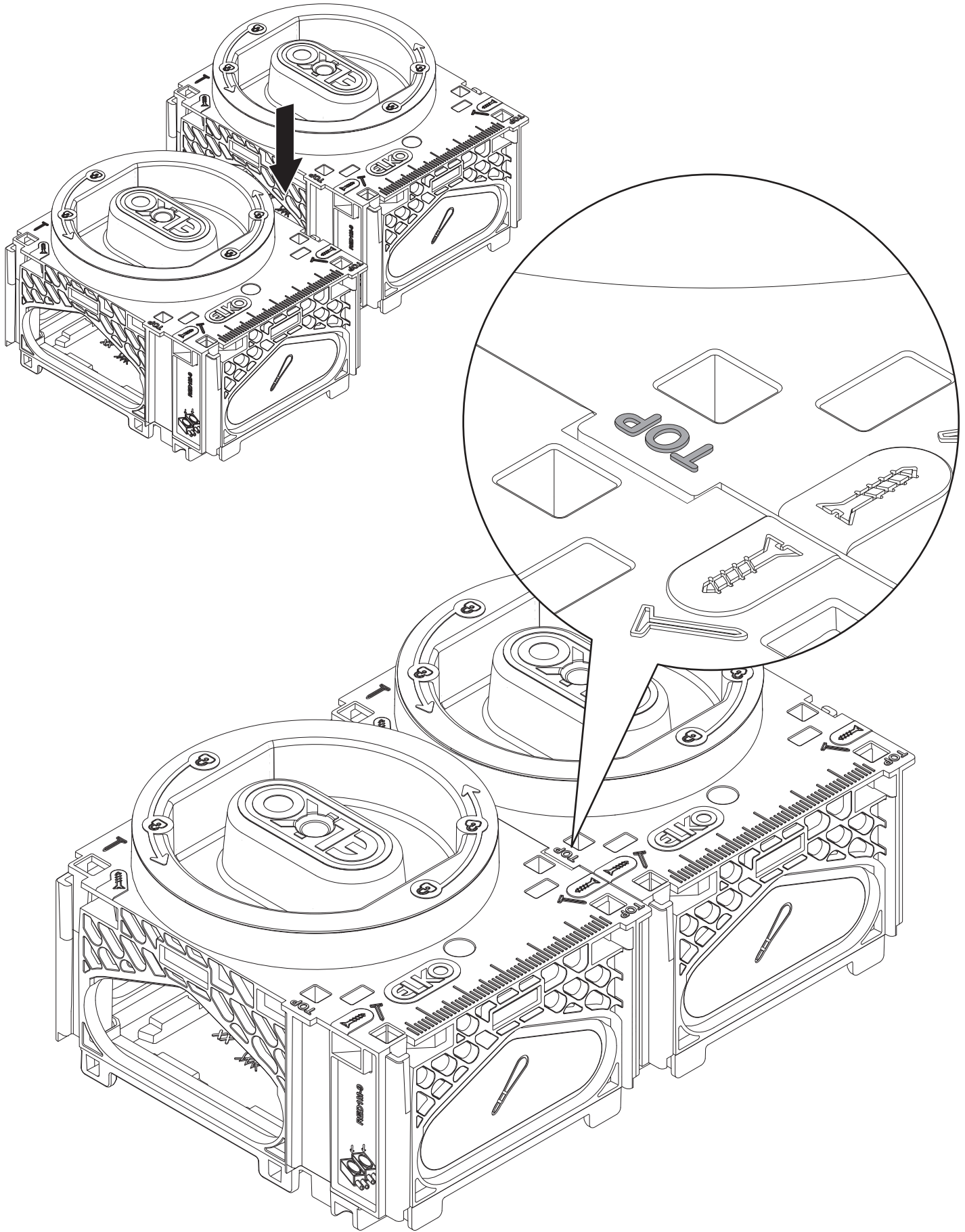
ELKO AB,
Box 5115,
121 17 Johanneshov
www.elko.se/kundsupport

ELKO AS,
Pb. 6598 Etterstad, 0607 Oslo
www.proff.elko.no/kontakt-oss





Flexi + apparatus Box - making combinations



NNZ5674300-00

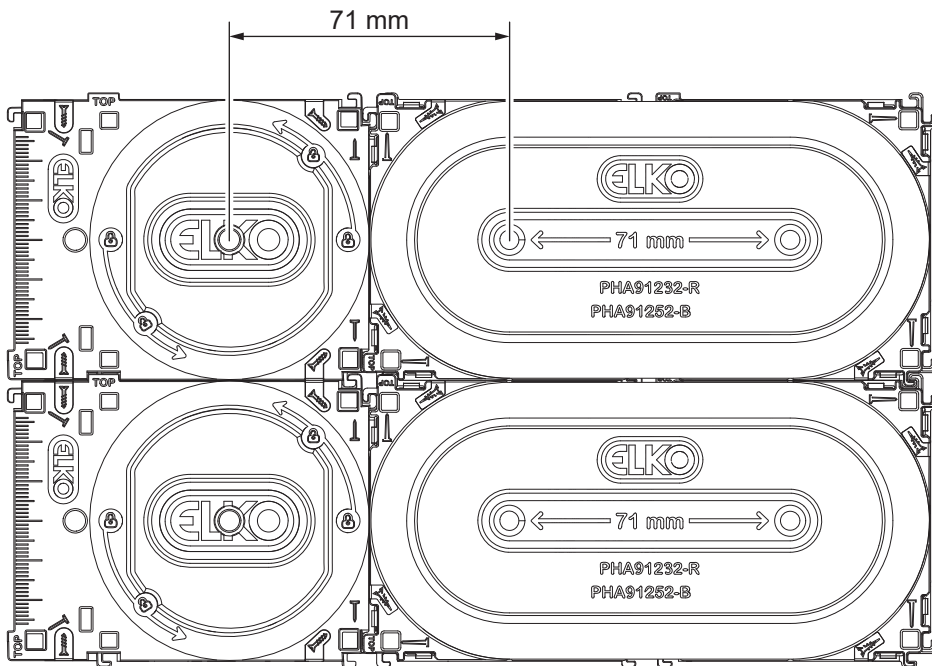
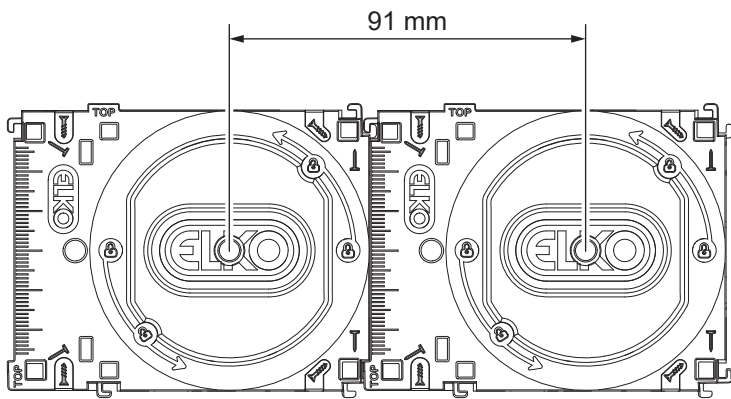
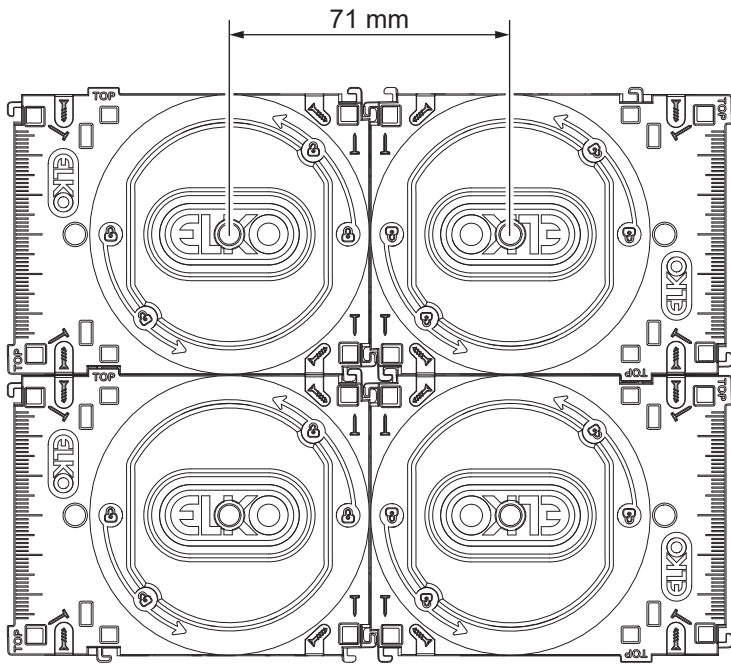
ELKO AB,
Box 5115,
121 17 Johanneshov
www.elko.se/kundsupport

ELKO AS,
Pb. 6598 Etterstad, 0607 Oslo
www.proff.elko.no/kontakt-oss





Flexi + apparatus Box - making combinations



NNZ5674300-00

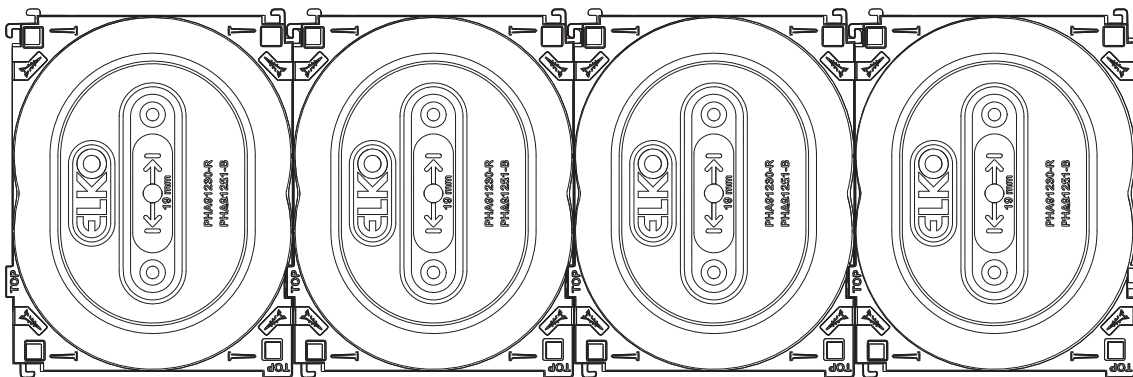
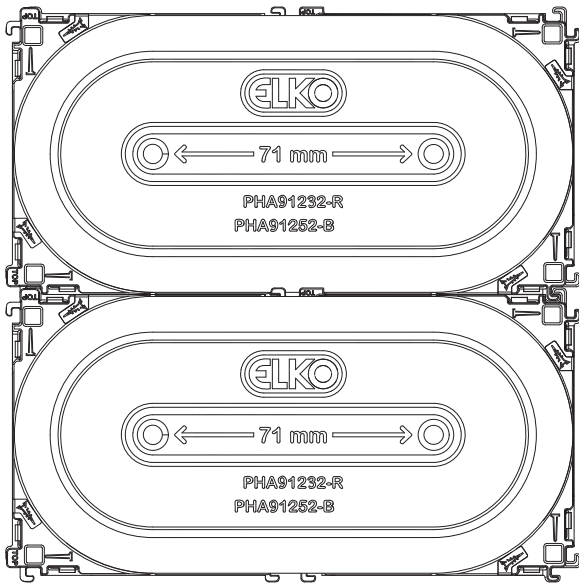
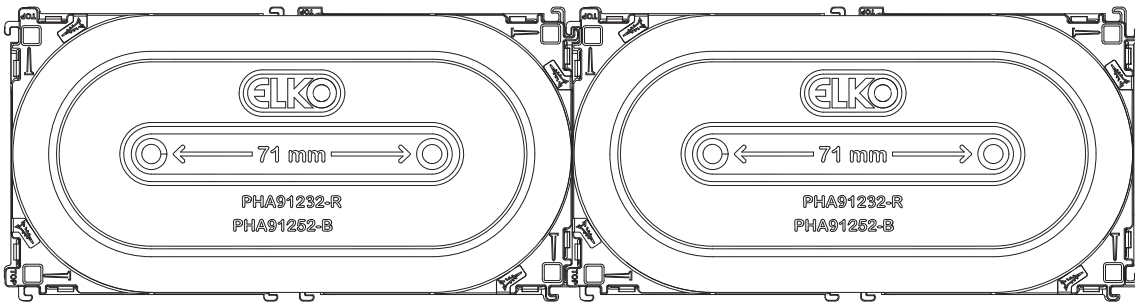
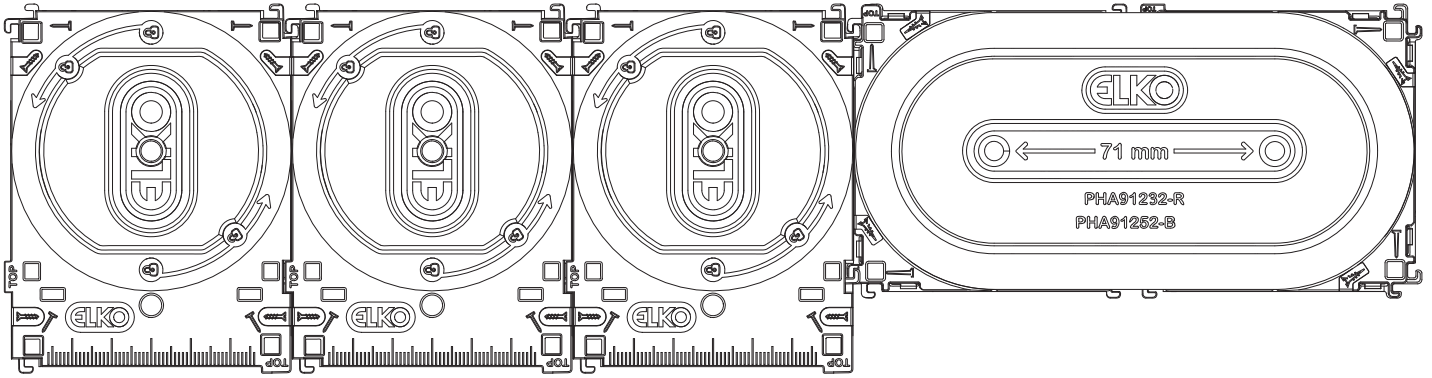
ELKO AB,
Box 5115,
121 17 Johanneshov
www.elko.se/kundsupport

ELKO AS,
Pb. 6598 Etterstad, 0607 Oslo
www.proff.elko.no/kontakt-oss





Flexi + apparatus Box - making combinations



NNZ5674300-00

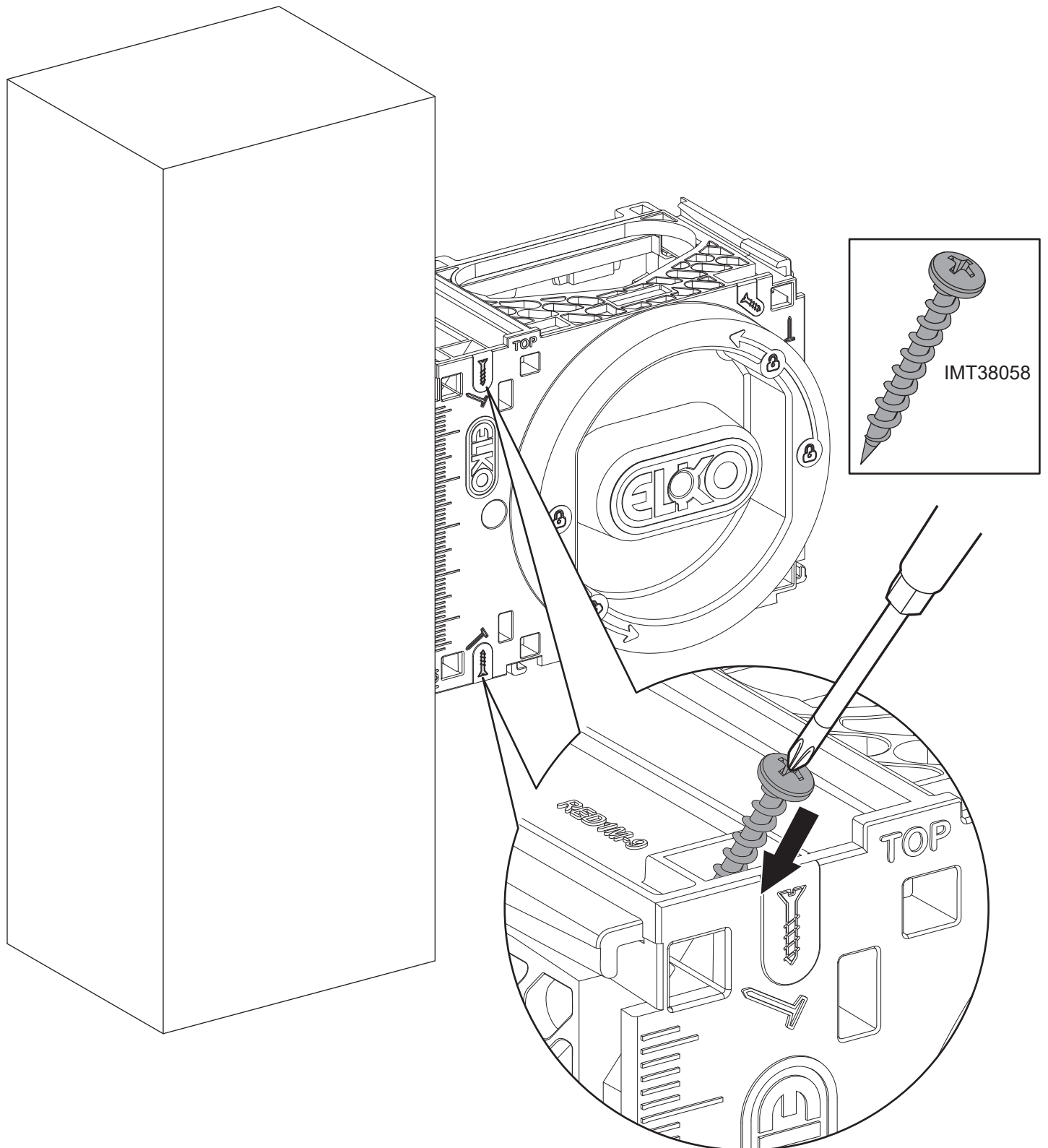
ELKO AB,
Box 5115,
121 17 Johanneshov
www.elko.se/kundsupport

ELKO AS,
Pb. 6598 Etterstad, 0607 Oslo
www.proff.elko.no/kontakt-oss





Flexi + - Alternative fixing methods with screws



NNZ5675000-00

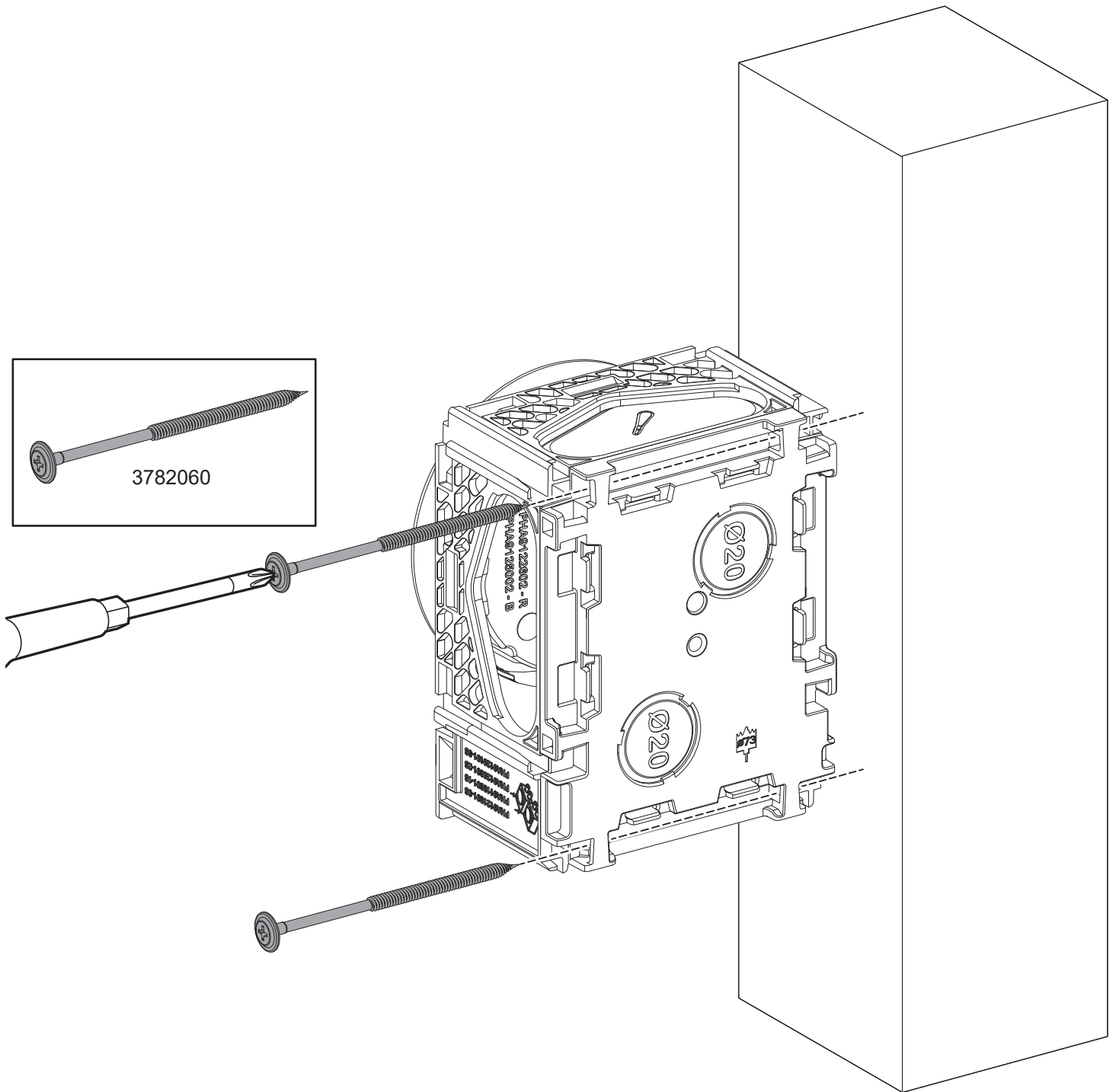
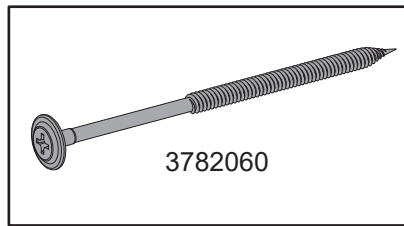
ELKO AB,
Box 5115,
121 17 Johanneshov
www.elko.se/kundsupport

ELKO AS,
Pb. 6598 Etterstad, 0607 Oslo
www.proff.elko.no/kontakt-oss





Flexi + - Alternative fixing methods with screws

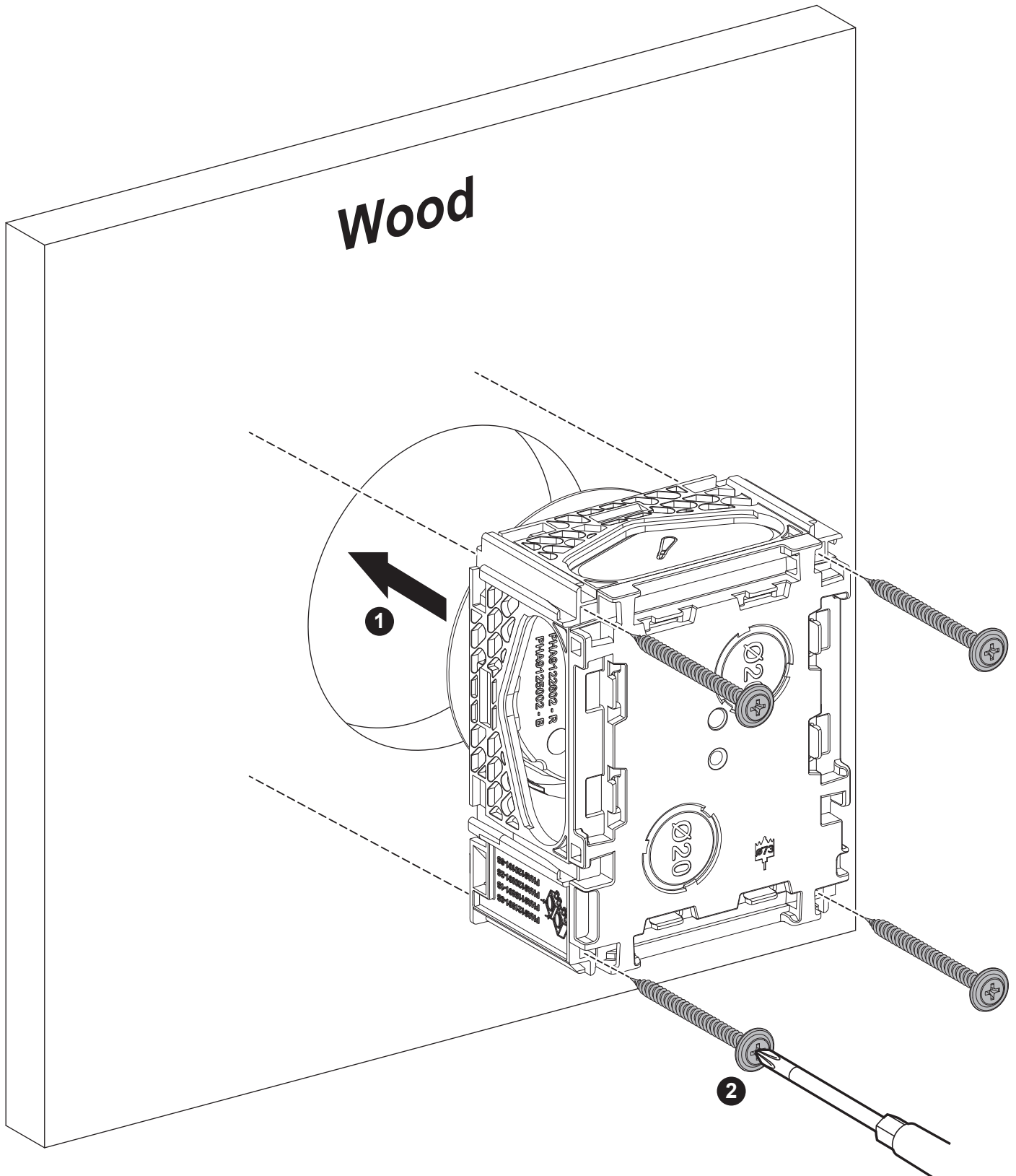


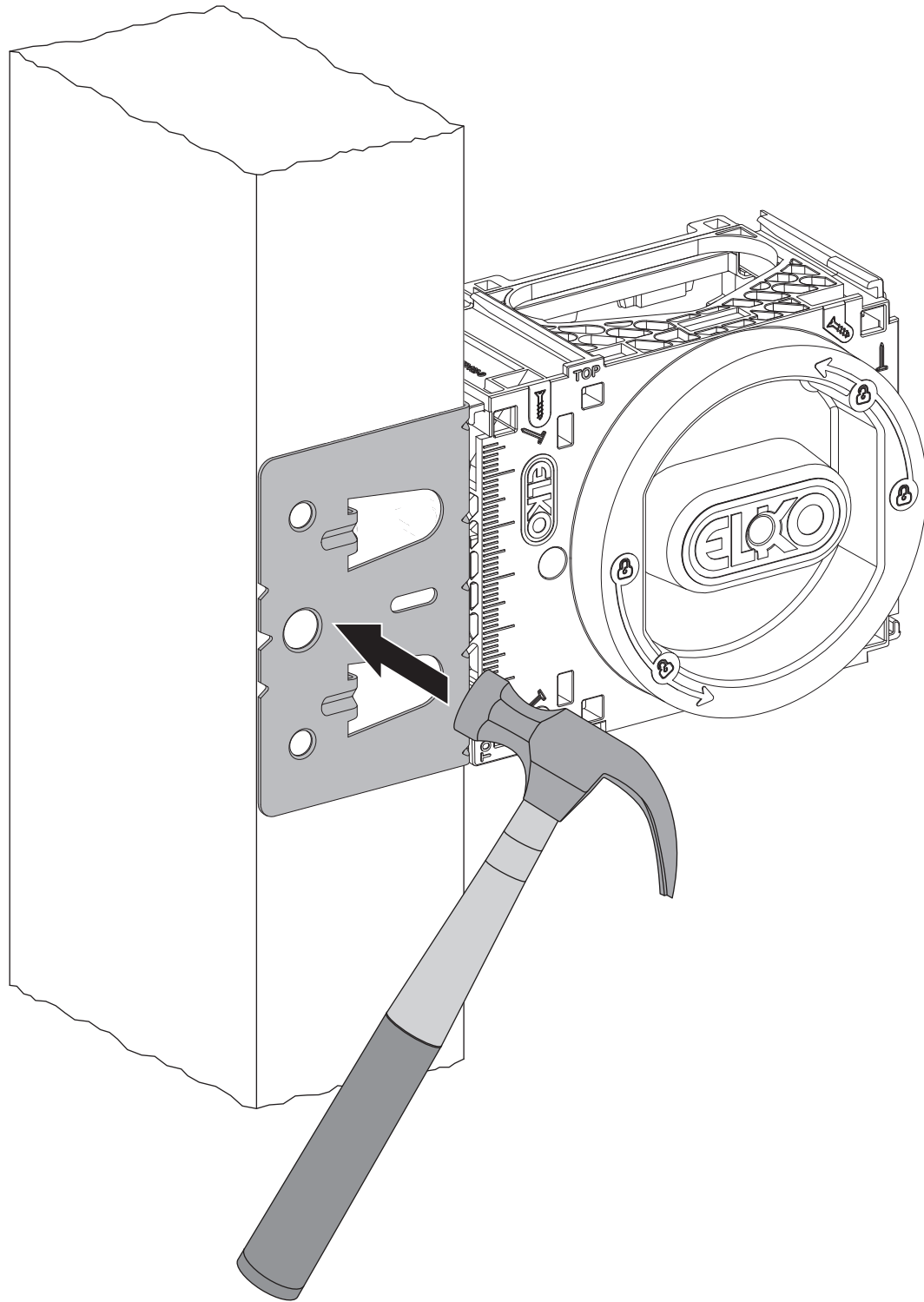
NNZ5675000-00

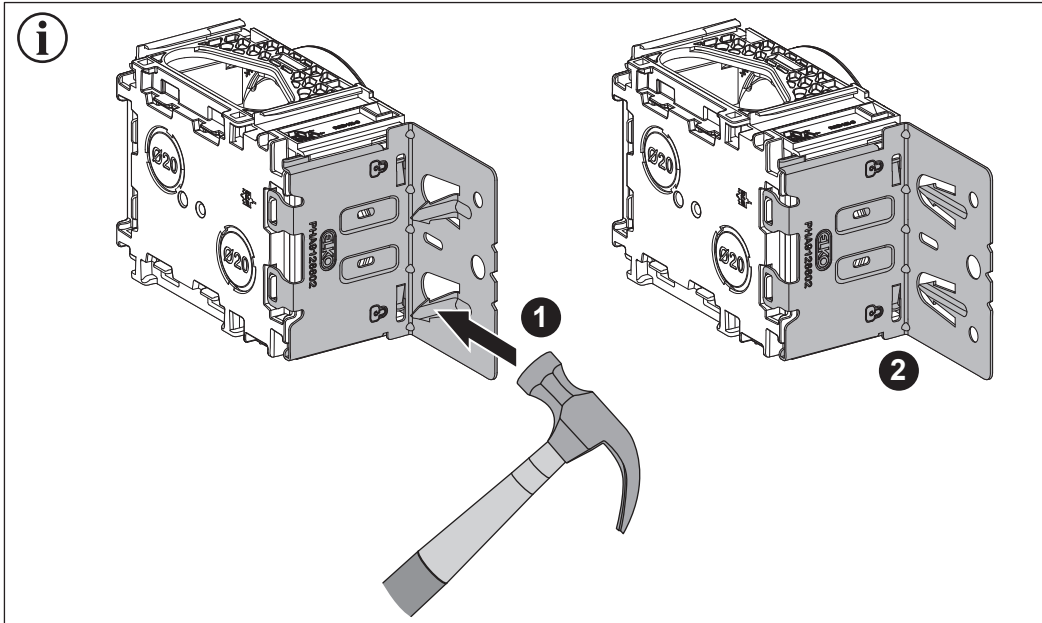
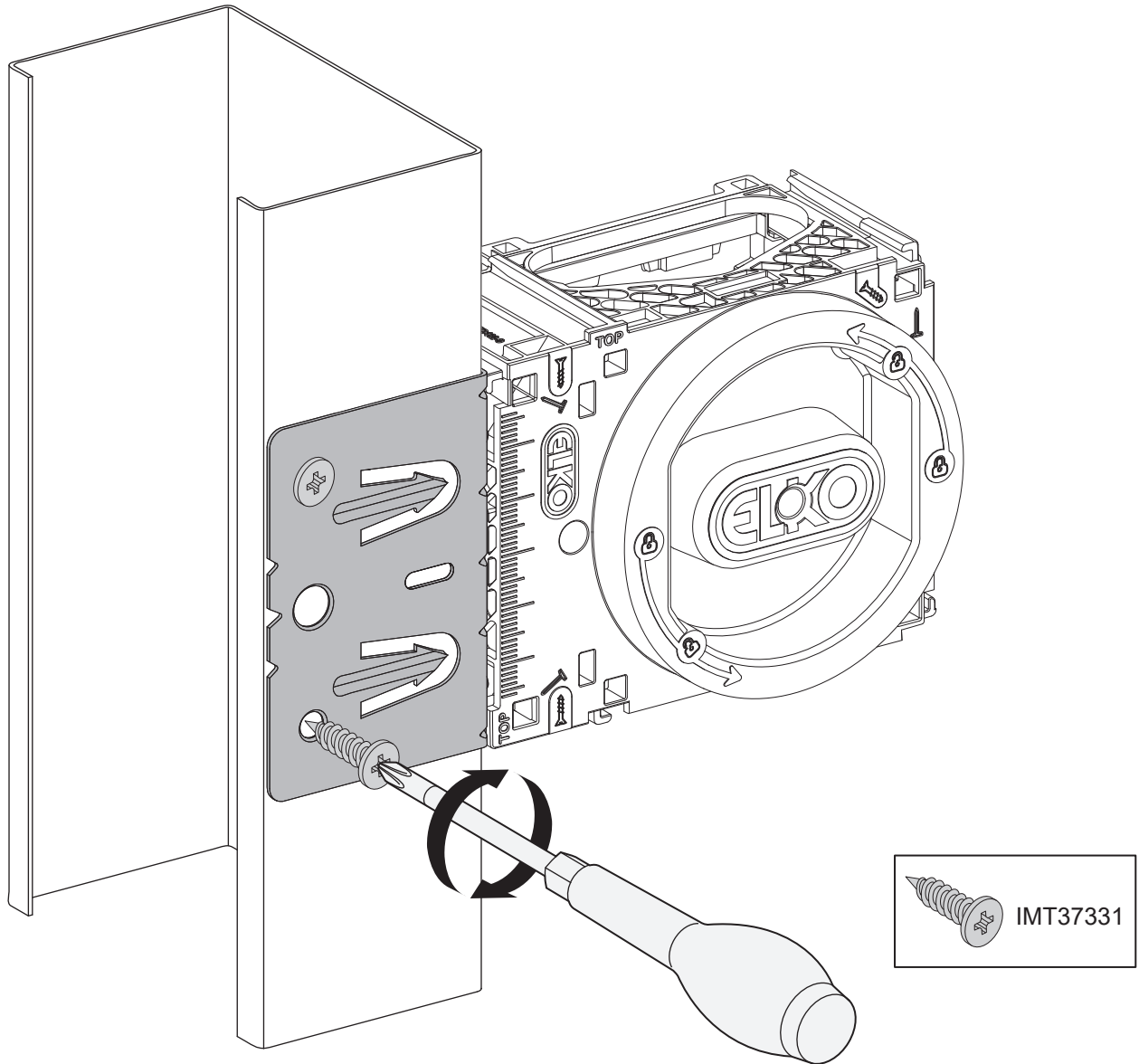
ELKO AB,
Box 5115,
121 17 Johanneshov
www.elko.se/kundsupport

ELKO AS,
Pb. 6598 Etterstad, 0607 Oslo
www.proff.elko.no/kontakt-oss





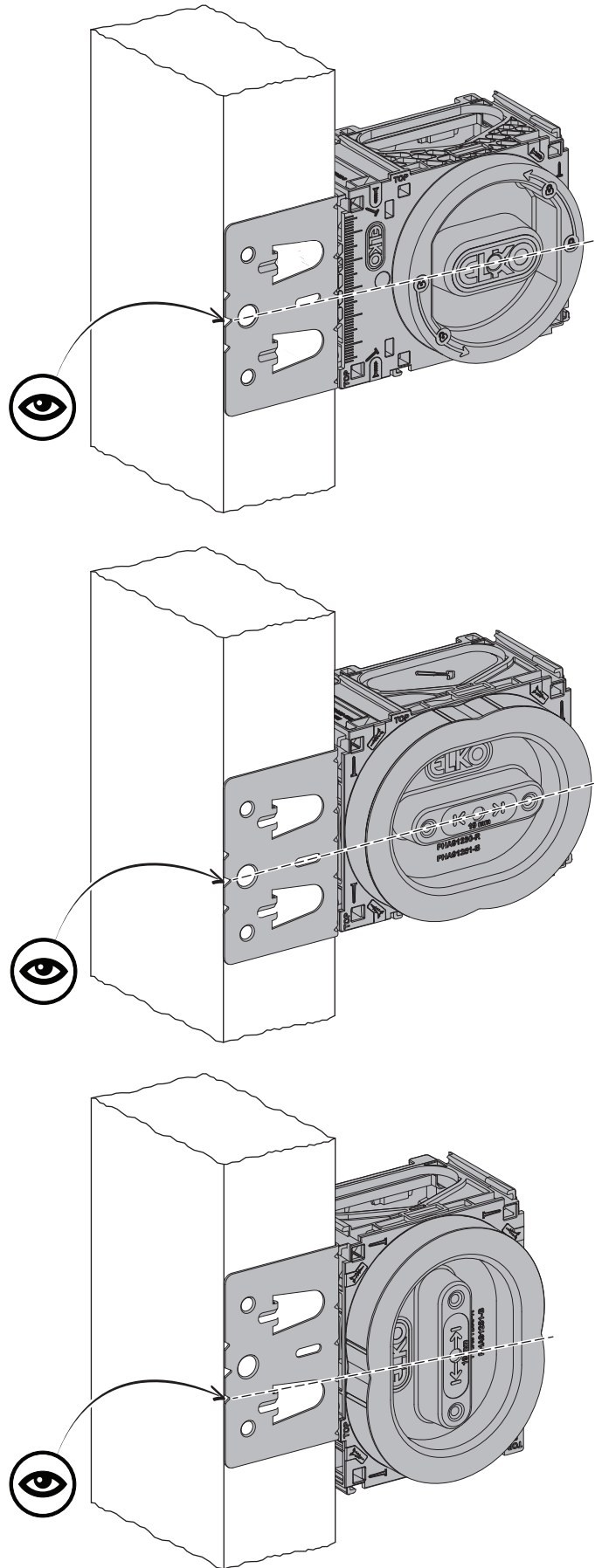




NNZ5675200-00

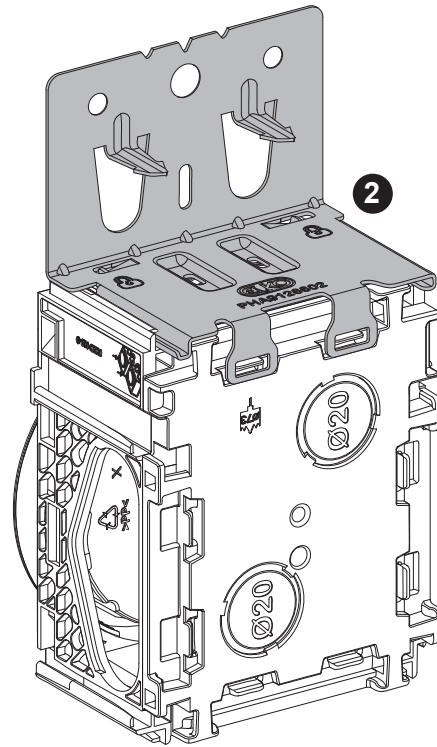
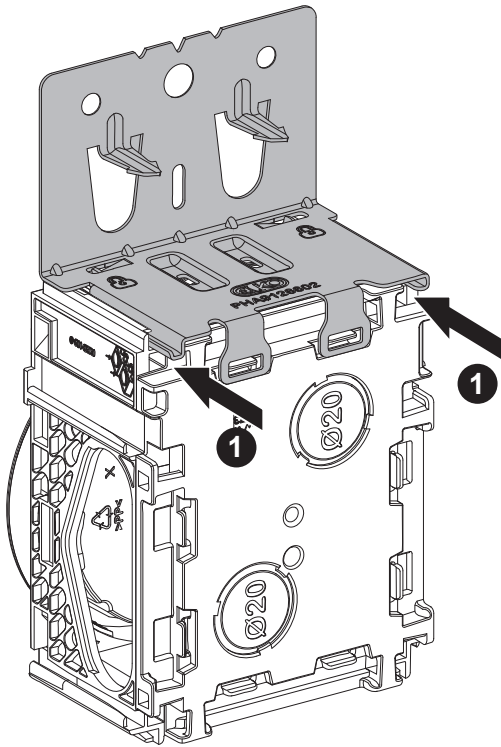
ELKO AB,
Box 5115,
121 17 Johanneshov
www.elko.se/kundsupport

ELKO AS,
Pb. 6598 Etterstad, 0607 Oslo
www.proff.elko.no/kontakt-oss

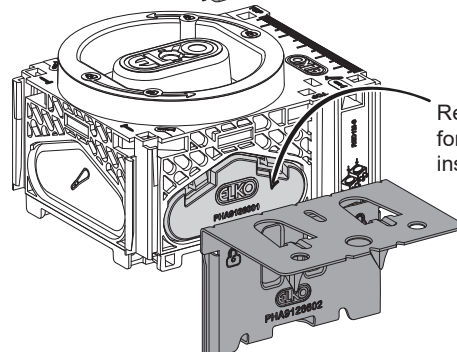
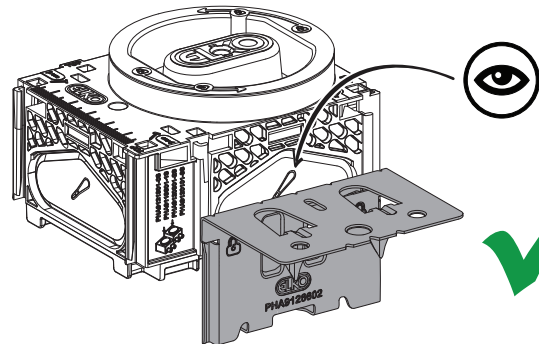
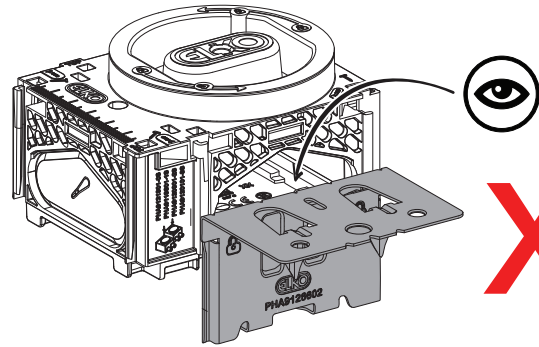
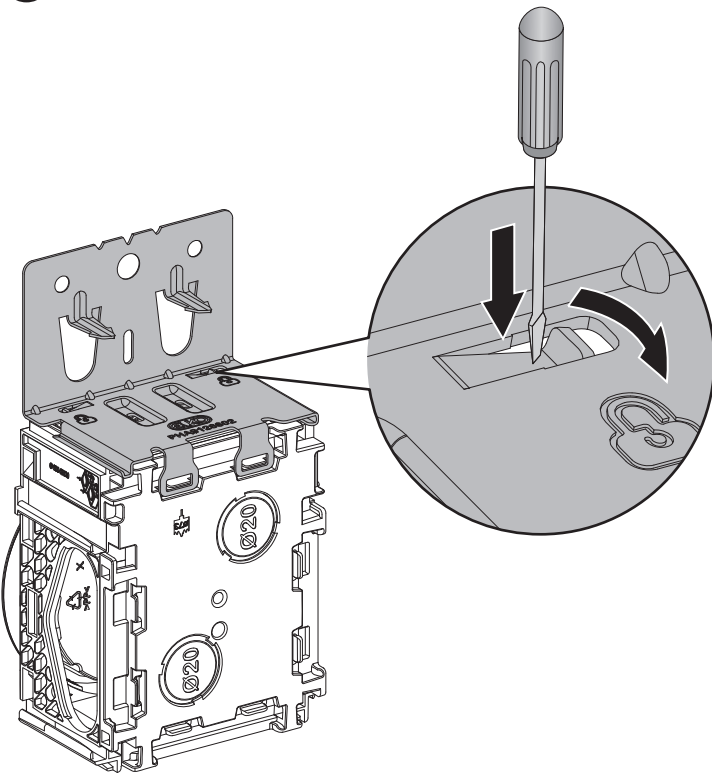




Flexi + Beam fixing



i



Refer IS NNZ5676300
for Blank Pate Assembly
instruction

NNZ5675400-00

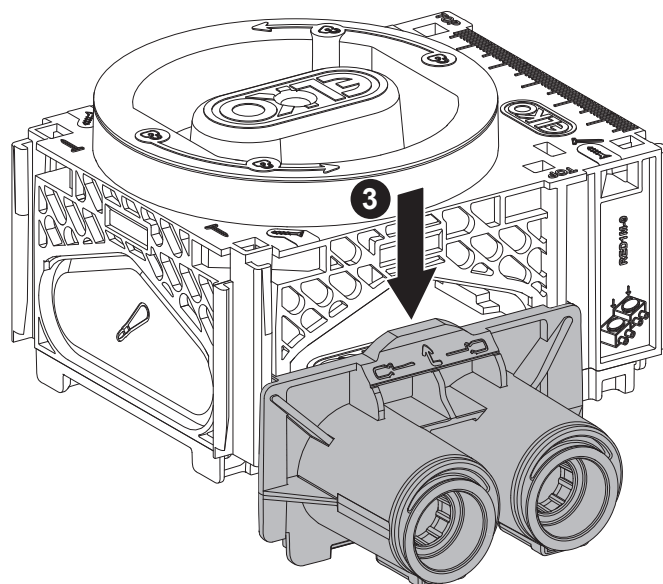
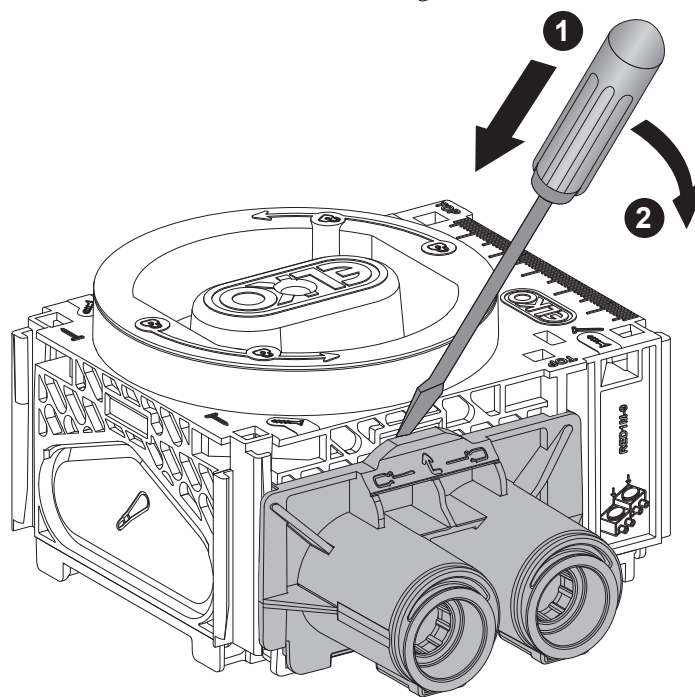
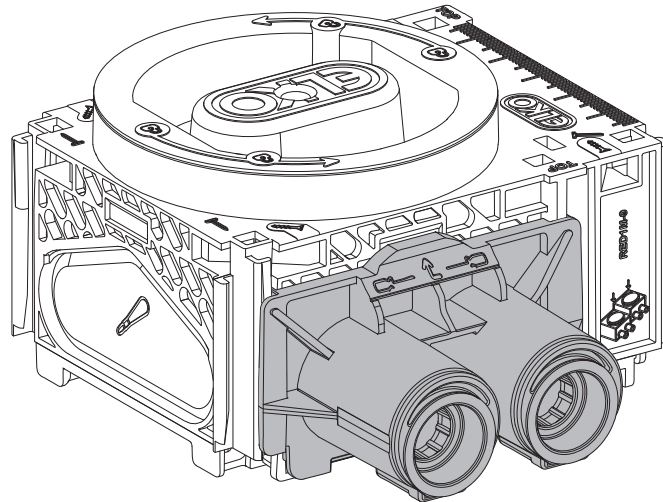
ELKO AB,
Box 5115,
121 17 Johanneshov
www.elko.se/kundsupport

ELKO AS,
Pb. 6598 Etterstad, 0607 Oslo
www.proff.elko.no/kontakt-oss





Flexi + Stubs Removal



NNZ5675900-00

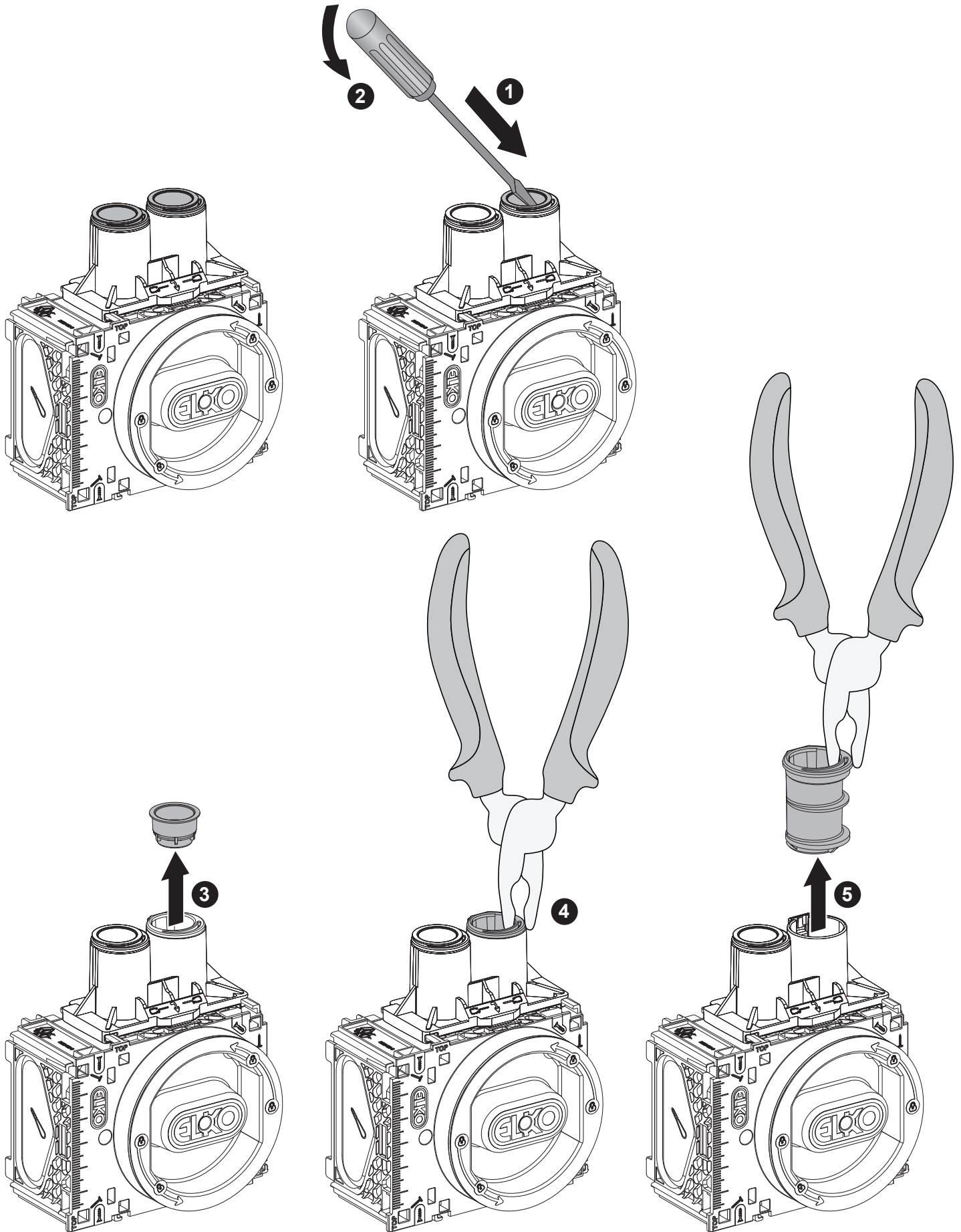
ELKO AB,
Box 5115,
121 17 Johanneshov
www.elko.se/kundsupport

ELKO AS,
Pb. 6598 Etterstad, 0607 Oslo
www.proff.elko.no/kontakt-oss





Flexi + - Removal of seals and reducing sleeves



NNZ5676100-00

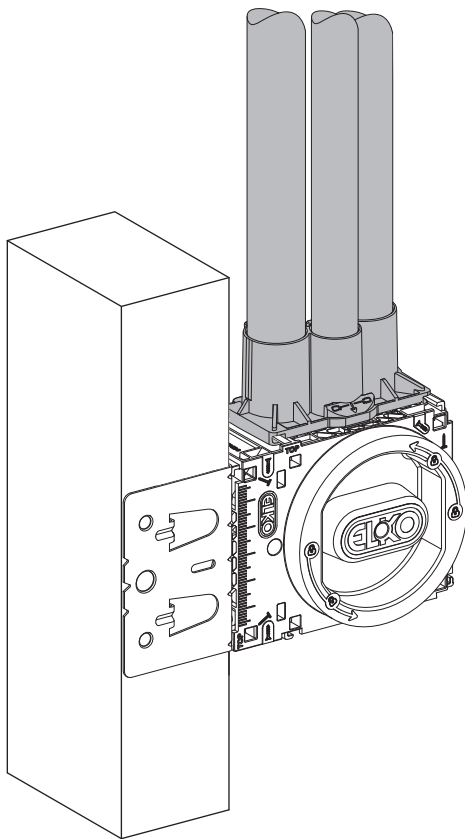
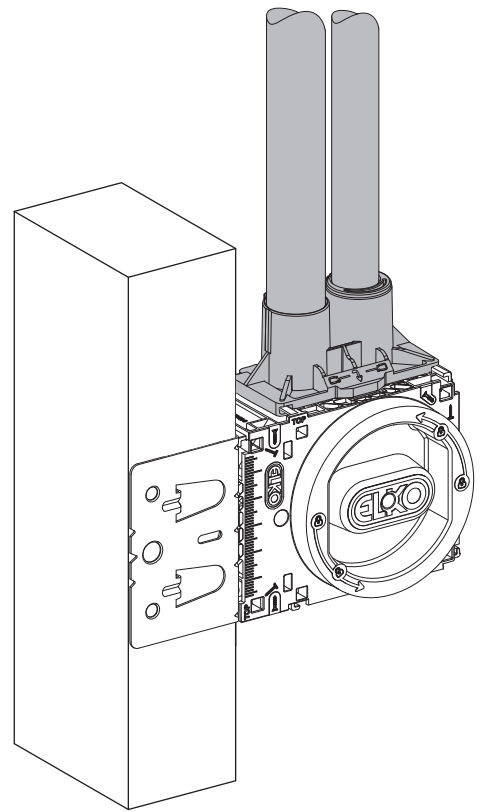
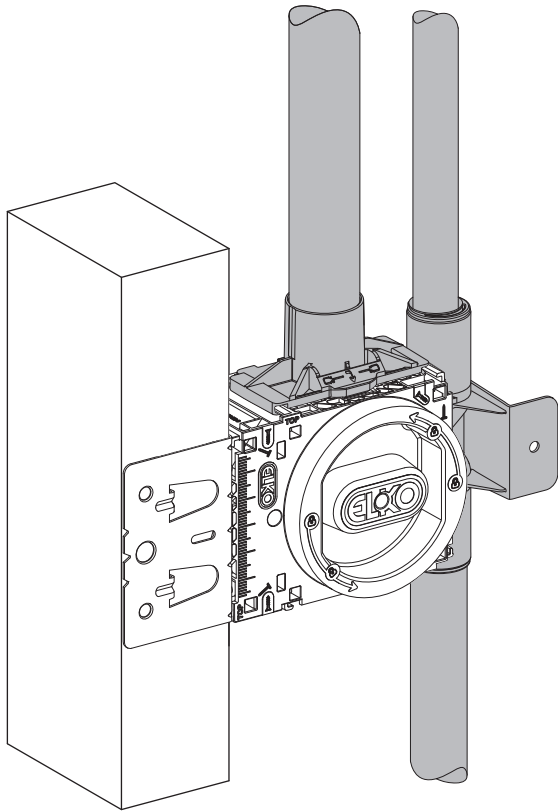
ELKO AB,
Box 5115,
121 17 Johanneshov
www.elko.se/kundsupport

ELKO AS,
Pb. 6598 Etterstad, 0607 Oslo
www.proff.elko.no/kontakt-oss





Flexi + Stub variants



NNZ5676900-00

ELKO AB,
Box 5115,
121 17 Johanneshov
www.elko.se/kundsupport

ELKO AS,
Pb. 6598 Etterstad, 0607 Oslo
www.proff.elko.no/kontakt-oss

