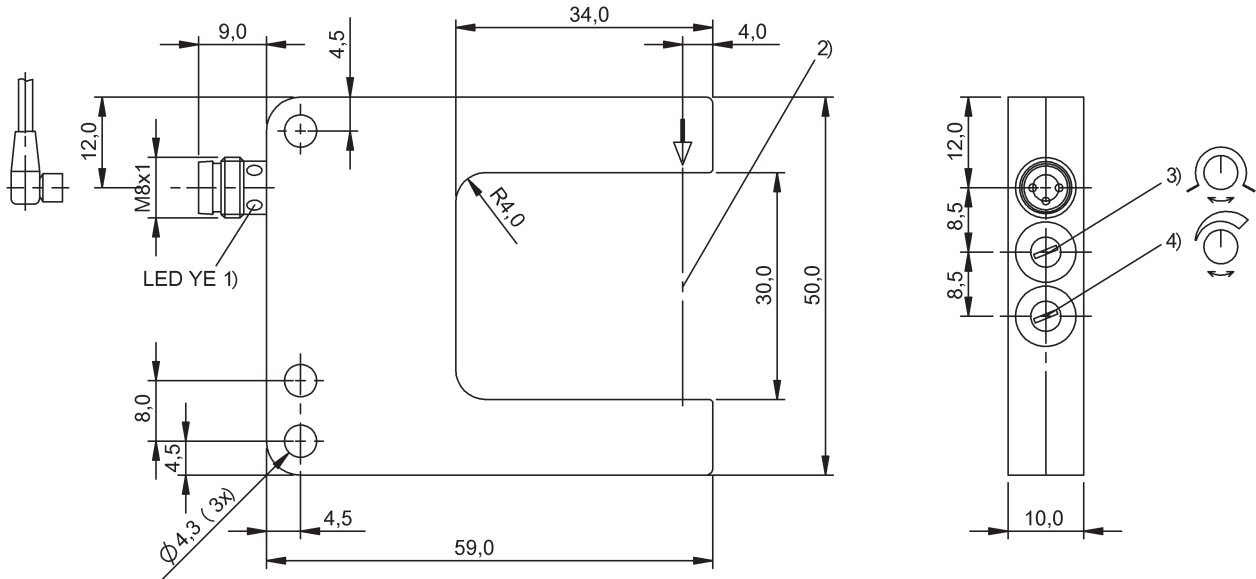


Slot sensor

BGL 30A-001-S49
BGL0016

BALLUFF
sensors worldwide



1) Output function 2) Optical axis 3) Light-on / Dark-on 4) Sensitivity

- Slot sensor
- Series A
- LED, red light
- 30 mm



General attributes

Adjuster	Potentiometer, 270° (2x)
Approvals / Conformity	CE
	cULus
Basic standard	IEC 60947-5-2
Enclosure Type per IEC 60529	IP67
Indicator	Output function - LED YE
Polarity reversal protected	Yes
Series	Series A
Setting	Sensitivity
	Light-on/dark-on
Short circuit protected	Yes
Trademark	GLOBAL
MTTF	307 a

Electrical attributes

Connection type	Connector
Eff. operating current I _e	200 mA
Eff. operating voltage U _e DC	24.0 V
Electrical version	DC, direct current
Hysteresis H max.	0.080 mm
Load capacitance max. (at U _e)	1.00 µF
No-load current max. I _o at U _e	35 mA
Operating voltage U _B max. DC [V]	30.0 V
Operating voltage U _B min. DC [V]	10.0 V
Rated insulation voltage U _i	75 V DC
Ripple max. (% of U _e)	10 %
Switching freq. f max. (at U _e)	1500 Hz

Switching function	NO/NC
Switching output	PNP (1X)
Turn on time t _{on} max.	0.333 ms
Voltage drop U _d max. (at I _e)	3.0 V

Mechanical attributes

Ambient temperature T _a max.	60 °C
Ambient temperature T _a min.	-10 °C
Connector type	M8x1-S49
Fork width	30 mm
Housing material	GD-Zn
Length 1	5.0 mm
Length 2	59.0 mm
Length 3	50.0 mm
Mounting type	Screw M4
Repeat accuracy lateral max.	20 µm
Sensing face material	Glass
Style	Slot, straight connection
Surface protection	Painted

Optical attributes

Ambient light max.	5,000 Lux
Light spot size, typical	Ø1.2 mm light exit
Light type	LED, red light
Principle of optical operation	Through-beam
Switching function, optical	NO/NC: dark-on/light-on
Wavelength	636 nm

Slot sensor

BGL 30A-001-S49
BGL0016

Remarks

Order accessories separately.

For additional information, refer to user's guide.

Factory default setting for switching output: Normally open.

Reference object (test target): Steel sheet metal, 50 x 50, thickness 0.5 mm, lateral approach.

The sensor is functional again after the overload has been eliminated.

Only for NFPA 79 applications (machines with a supply voltage of maximum 600 volts).

Device shall be connected only by using any R/C (CYJV2) cord, having suitable ratings.

For further information on MTTF/B10d, please refer to the MTTF / B10d Certificate.

Specification of the MTTF value and the B10d value do not represent any binding quality and/or life expectancy guarantees.

