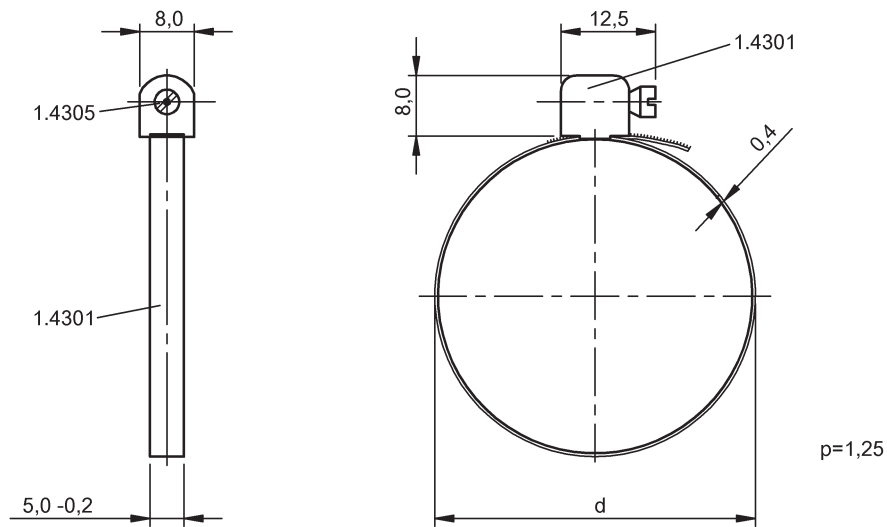


Mounting clamp

**SCHLAUCHSCHELLE BMF GR. 4
BAM00N6**

BALLUFF
sensors worldwide



- Mounting clamp
- Ø38-49 mm
- Stainless steel

General attributes

Application
Scope of delivery
Trademark

Ø38-49 mm
Hose clamp (1x)
GLOBAL

Electrical attributes

Mechanical attributes

Material
Mounting type
Tightening torque for clamping

Stainless steel
screwing/clamping
1.2 Nm