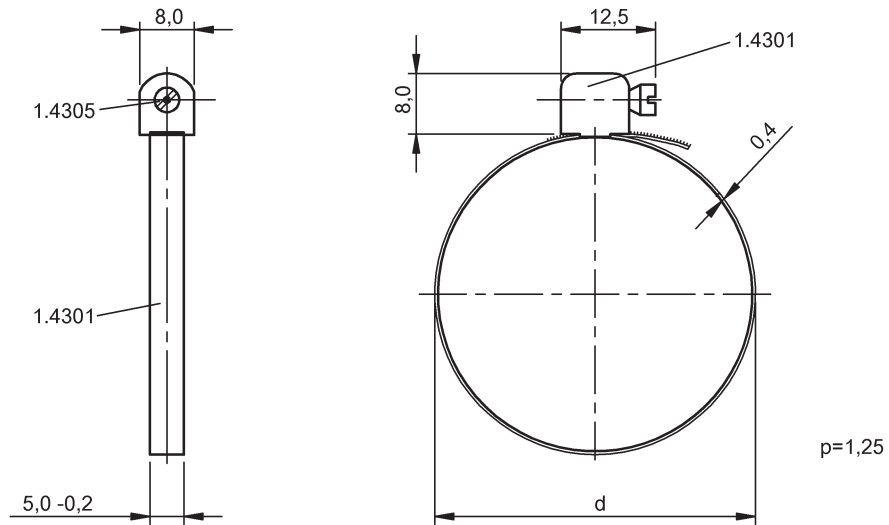


Mounting clamp

**SCHLAUCHSCHELLE BMF GR. 1  
BAM00N3**

**BALLUFF**

sensors worldwide



- Mounting clamp
- Ø11-19 mm
- Stainless steel

**General attributes**

Application  
Scope of delivery  
Trademark

Ø11-19 mm  
Hose clamp (1x)  
GLOBAL

**Electrical attributes**

**Mechanical attributes**  
Material  
Mounting type  
Tightening torque for clamping

Stainless steel  
screwing/clamping  
1.2 Nm