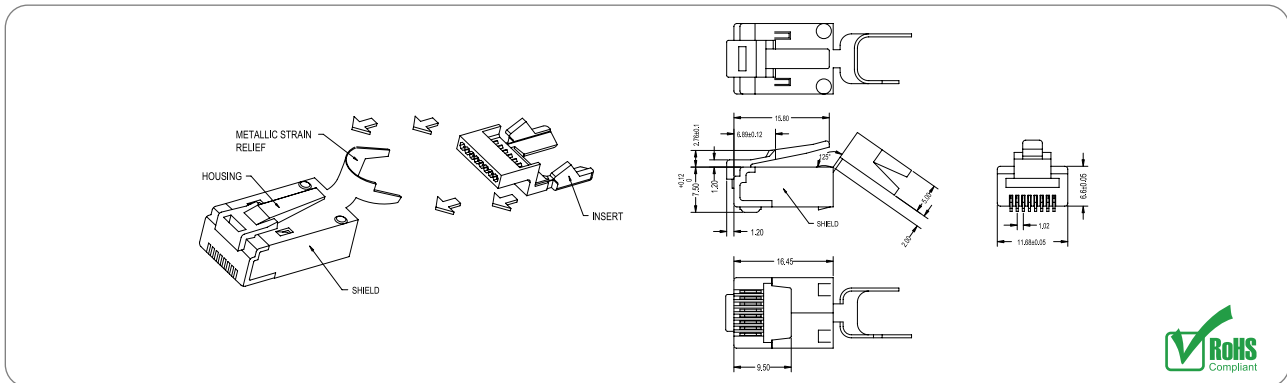


TA5708FS 8P8C Fully Shielded Plug w/insert



Specifications:

- Meet FCC Parts 68.
- Meet IEC 60603-7.
- Housing: Polycarbonate (PC), UL 94V-0.
- Insert: Polycarbonate (PC), UL 94V-0.
- Contact Blade: Phosphor bronze,
 - 50μ" / 1.27μm min. gold in contact area.
 - 100μ" / 2.54 μm nickel all over.
- Shield Cover: 0.5 mm brass. 80μ" / 2.03μm nickel plating.

Electronic:

- Current Rating: 1.5 A max. per circuit.
- Contact resistance: 20 mohm max. at 100 mA max. 50 mV max.
- Insulation Resistance: 500 Mohm min. at 500V d.c.
- Dielectric withstanding voltage: 1000V a.c. RMS 60 Hz, 1 minute.

Mechanical:

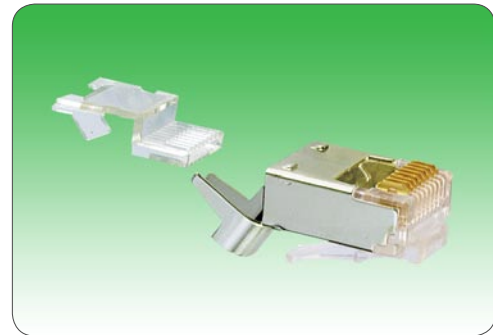
- Durability: 1000 mating cycles.
- Cable-to-Plug tensile strength: 20 lbs (89N) min.
- Temperature: -40°C to 80°C.

Application:

- Fully shielded RJ 45 modular Plug.
- Specially for EMI & EMC requirements.
- For Cat.5e and Cat.6 patch cord performance.
- Using together with our PLUG COVER(BOOT) for identification and latch protection.

Patented:

- UK : 2047665 1995/09/11
- CH : 59800 1996/05/22



TA5708FS Fully Shielded Plug

Part No.	Positions	Description
TA5706FS	6P6C	Fully shielded plug w/insert
TA5708FS	8P8C	Fully shielded plug w/insert
TA5710FS	10P10C	Fully shielded plug w/insert