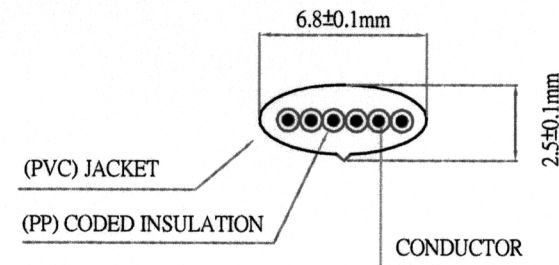


—. DESCRIPTION:

- (1) CONDUCTOR: 0.16mm/7(BARE COPPER) x 6C
- (2) COLOR CODED INSULATION: (PP) WHITE, BLACK, RED, GREEN, YELLOW, BLUE
- (3) COLOR JACKET: (PVC) BLACK
- (4) ID: 0.95±0.05mm, OD:2.5x6.8mm±0.1
- (5) LENGTH: 1000FT/PAPER REEL



二. ELECTRICAL PROPERTIES:

TENSILE STRENGTH:

- (1) INSULATION: MIN 1.0 KG/mm²
- (2) JACKET: MIN 1.3 KG/mm²

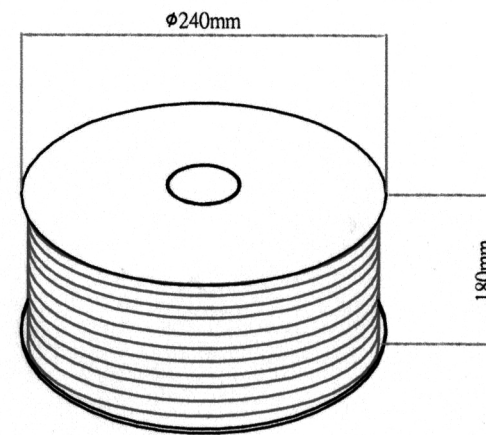
ELONGATION:

- (1) INSULATION: MIN 200%
- (2) JACKET: MIN 100%

CONDUCTOR RESISTANCE: 45.2 Ω/KFT(AT 20°C)

INSULATION RESISTANCE: MIN45.3 MΩ/KFT(AT20°C)

DIELECTRIC WITHSAND: AC1500 V/MIN(AT 20°C)



DATE	APPROVED	CHECKED	DRAWN	Title	6C FLAT CABLE	
				Part No.	TC7600T-XX	