

Magnetic ballasts for high pressure mercury lamps



80/50 W - 125/80 W 230, 240, 230/240 V, 50 Hz

- Meets EN 61347-2-9 & EN 60923 requirements
- Very low magnetic field
- 100 % quality controlled
- Low power losses
- Low harmonics
- Low noise
- Long lifetime



Lamp			Ballast								Compensation	
Lamp type	Lamp wattage	Lamp current	Ballast type	Voltage	Power losses	Dimensions	Connection	Net weight	Inductive	Temp. rise	Parallel Ck 230/250V ±10 %	Mains current
	(W)	(A)			(W) ¹⁾	(p.65)	(p.64)	(kg)	λ	Δt (°C)	(μF)	(A)
HM	80/50	0.80/0.62	E80/50LU	230	12.8/10.0	1	1	1.22	0.50/0.42	65/55	8.0	0.45/0.30
	125/80	1.15/0.80	E125/80LU	230	14.5/11.5	1	1	1.22	0.55/0.50	70/60	10.0	0.70/0.45
	125/80	1.15/0.80	E125/80LU	240	15.0/12.0	1	1	1.22	0.55/0.50	70/60	10.0	0.70/0.45
	125/80	1.15/0.80	E125/80LU	230 240	13.4/11.0 14.0/11.6	1	2	1.22	0.55/0.50	70/60	10.0	0.70/0.45
	125/80	1.15/0.80	E125/80LUP	230	14.5/12.5	1	1	1.22	0.55/0.50	70/60	10.0	0.70/0.45
	125/80	1.15/0.80	E125/80LUP	240	15.0/12.0	1	1	1.22	0.55/0.50	70/60	10.0	0.70/0.45

1) Winding at 25 °C

Note: P in ballast type name means built-in thermal protector (eg. E80/50LUP)

Magnetic ballasts for high pressure mercury lamps



50-400 W 220, 230, 240, 230/240 V, 50 Hz

- Meets EN 61347-2-9 & EN 60923 requirements
- Very low magnetic field
- 100 % quality controlled
- Low power losses
- Low harmonics
- Low noise
- Long lifetime



Lamp			Ballast								Compensation	
Lamp type	Lamp wattage	Lamp current	Ballast type	Voltage	Power losses	Dimensions	Connection	Net weight	Inductive	Temp. rise	ParallelCk 230/250V ±10 %	Mains current
	(W)	(A)			(W) ¹⁾	(p.65)	(p.64)	(kg)	λ	Δt (°C)	(μF)	(A)
HM	80	0.80	E 80 LU	230	12.0	1	4	1.22	0.50	65	8.0	0.45
	80	0.80	E 80 LU	240	12.4	1	4	1.22	0.50	65	8.0	0.45
	125	1.15	E 125 LU	220	13.2	1	4	1.21	0.55	70	10.0	0.70
	125	1.15	E 125 LU	230	13.7	1	4	1.22	0.55	70	10.0	0.70
	125	1.15	E 125 LU	230	12.9	1	1	1.22	0.55	70	10.0	0.70
	125	1.15	E 125 LU	240	13.5	1	1	1.22	0.55	70	10.0	0.70
	250	2.13	E 250 SE ³⁾	230	19.0	8	5	1.86	0.55	75	18.0	1.40
	250	2.13	E 250 SE ³⁾	240	20.0	8	5	1.86	0.55	75	18.0	1.40
	250	2.13	E 250 T,F ^{2) 4) 5)}	230	22.0	2,5	7	2.10	0.55	65	18.0	1.40
	250	2.13	E 250 T ^{2) 4) 5)}	240	23.0	2	8	2.10	0.55	70	18.0	1.40
	250	2.13	E 250 T,F ^{2) 4) 5)}	230	22.0	2,5	9	2.10	0.55	65	18.0	1.40
	250	2.13	E 250 T,F ^{2) 4) 5)}	240	23.0	2,5	9	2.10	0.55	70	18.0	1.40
	400	3.25	E 400 SE ⁴⁾	230	28.0	10	5	3.00	0.57	75	25.0	2.15
	400	3.25	E 400 SE ⁴⁾	240	29.0	10	5	3.00	0.56	75	25.0	2.15
	400	3.25	E 400 T ^{2) 4) 5)}	230	25.4	3	7	3.16	0.60	65	25.0	2.15
	400	3.25	E 400 F ^{2) 4) 5)}	240	26.6	6	8	3.16	0.60	70	25.0	2.15
	400	3.25	E 400 TP,FP ^{2) 4) 5)}	230	25.4	3,6	10	3.16	0.60	65	25.0	2.15
	400	3.25	E 400 TP,FP ^{2) 4) 5)}	240	26.6	3,6	10	3.16	0.60	70	25.0	2.15
	400	3.25	E 400 TL ^{2) 4) 5)}	220	27	4	9	3.0	0.59	65	25	2.15
	400	3.25	E 400 TL ^{2) 4) 5)}	230	29	4	9	3.0	0.59	70	25	2.15
400	3.25	E 400 TL ^{2) 4) 5)}	230	29	4	11	3.1	0.57	70	25	2.15	
400	3.25	E 400 TL ^{2) 4) 5)}	240	31	4	11	3.1	0.57	70	25	2.15	
400	3.25	E 400 TLP ^{2) 4) 5)}	230	29	4	12	3.1	0.57	70	25	2.15	
400	3.25	E 400 TLP ^{2) 4) 5)}	240	31	4	12	3.1	0.57	70	25	2.15	

1) Winding at 25 °C

2) T-type = two and four point fixing

F-type = four point fixing

3) With push-in terminals

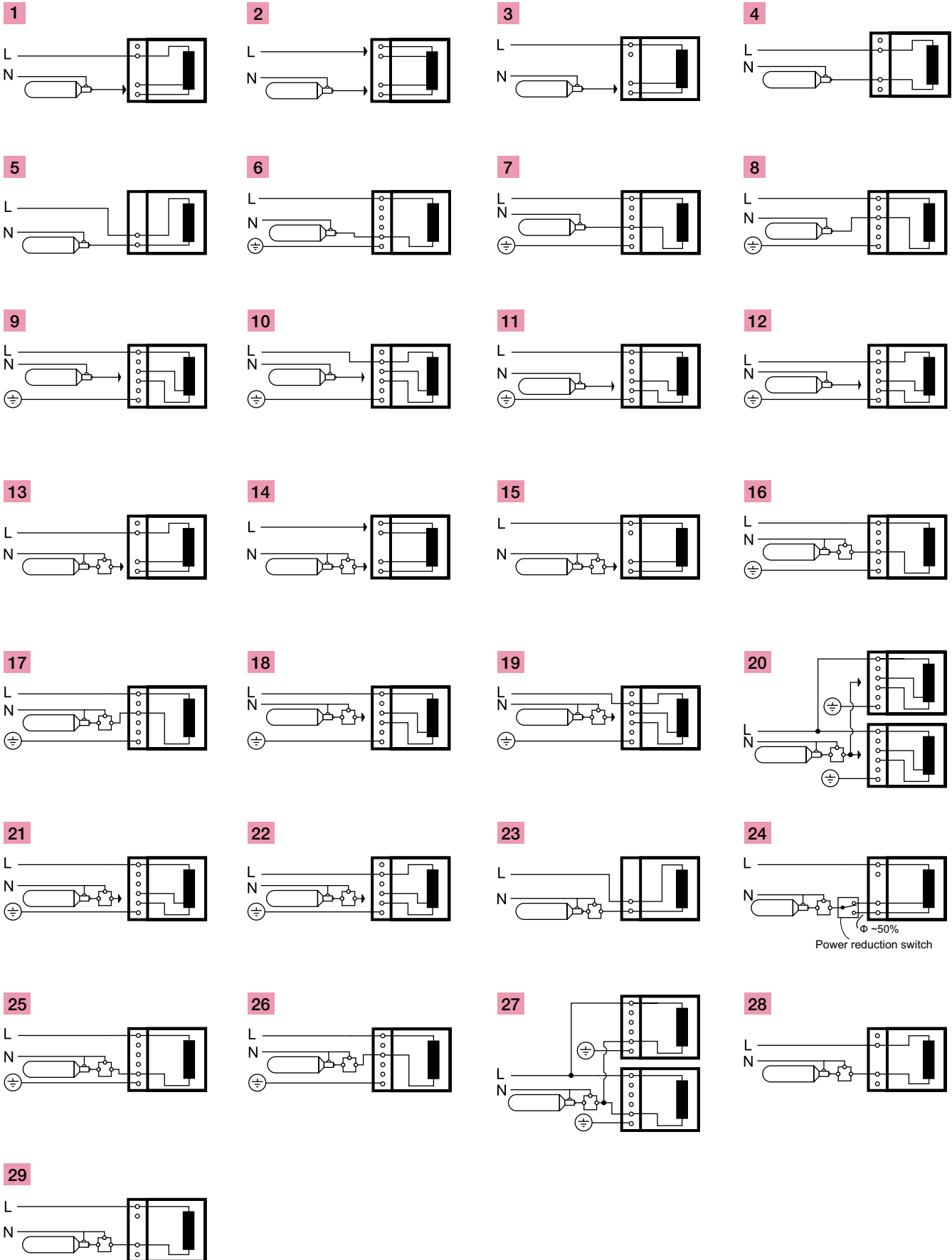
4) With screw terminals

5) Product has tw140

Note: P in ballast type name means built-in thermal protector (eg. E400 TP or NK70LUPK)

Connection diagrams

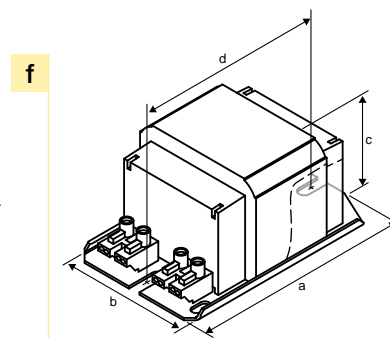
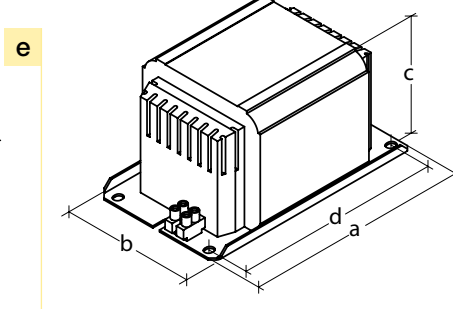
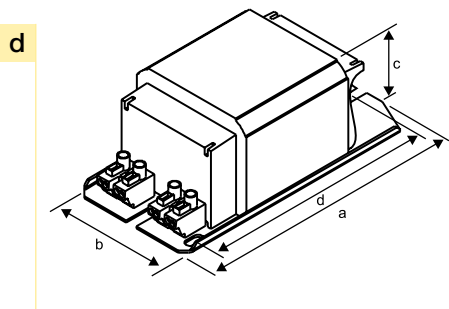
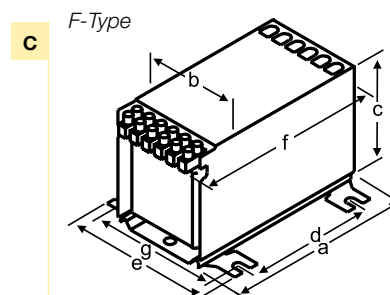
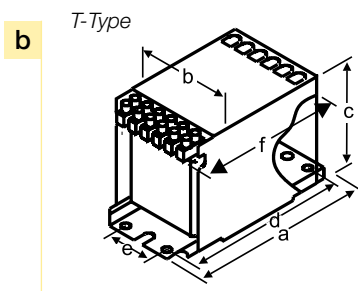
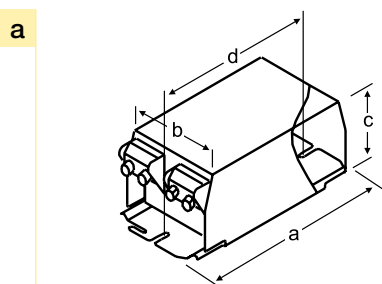
HID-ballasts



6

Dimensions

NO.	1	2	3	4	5	6	7	8	9	10	11	12	13	14
DRAWING	a	b	b	b	c	c	c	d	d	d	d	e	f	e
LENGTH 'a' (mm)	114	135	135	165	104	104	135	145	160	180	133	133	112	173
WIDTH 'b' (mm)	54	70	70	70	70	70	70	69	69	69	69	104	69	104
HEIGHT 'c' (mm)	45.5	85	85	85	85	85	85	53	53	53	53	90.5	53	90.5
'd' (mm)	95	120	120	150	90	90	100	120	140	155	120	120	95	160
'e' (mm)		35	35	35	90	90	100							
'f' (mm)		85	108	138	85	108	138							
'g' (mm)					80	80	90							



Delivery information

Ballast	Unit package			Transportation package				
	Minimum delivery amount	Plastic binding strip	Carton box	EURO pallet 1200 x 800	One-way pallet 730 x 650 (pcs.)	One-way pallet 730 x 1120 (pcs.)	Pallet weight (kg)	Pallet height (cm)
E-LU, E-LUP	4	●		432	960	527 - 1170	50	
E...LU/LUP/LUS	4	●			432	960	527-1170	50
NK ...LU/LUP/LUS								
E250 - 400T								
H400T	5		●			300	530-750	48
NK250T								
E250 - 400F								
H400F	4		●			240	530-1060	48
NK250F								
NK400T/F, NK400/50% TP								
E...SE/SEP								
NK100/70SEP	3	●		360-450-630			820-910	50-55
NK150-250SE/SEP								
NK250/50% SEP	2	●		200			710	54
NK600 T,F/2								
NK1000 T,F/2	2*		●			120 (240)	760-1060	48
H1000 F/2								