

16-A Single-Channel DALI Relay Unit (492)

The 492 is a single-channel relay unit, designed to allow control of non-DALI, non-dimmable loads.

The 492 relay unit is packaged within a plastic enclosure that can be installed within a luminaire, electrical cabinet, or used as an in-line unit.

The relay is a latching, volt-free contact, high inrush type, with a contact rating of 16 A.

The compact enclosure is provided with mounting lugs at each end, and cable grips are provided as part of the terminal cover.

The unit is powered from the DALI network.

The unit forms a DALI relay node with a typical current consumption of 2 mA, and is programmable as a single-channel relay by Helvar's lighting design software, Designer and Toolbox.

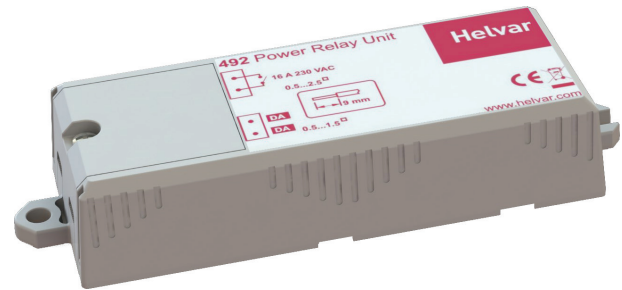
Note: This unit does not contain a DALI power supply and therefore one must be incorporated elsewhere in the system.

Key Features

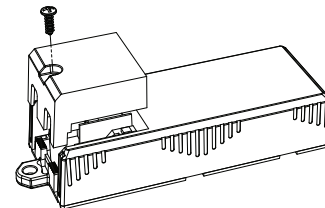
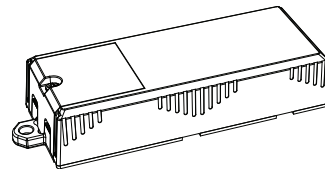
- High power switching capability (16 A)
- High inrush specification relay
- Compact size for luminaire, electrical panel or in-line mounting
- Secure wire connection cover

Installation Notes

- Remove the connection cover
- Secure the unit in place
- Connect the relay wires
- Connect the DALI control wires
- Attach the connection cover



Installation



Technical Data

Connections

DALI consumption: 2 mA

DALI: 0.5 mm² – 1.5 mm² stranded or solid core;
Strip length: 8.5 mm – 9.5 mm

Relay: 0.5 mm² – 1.5 mm² stranded;
0.5 mm² – 2.5 mm² solid core;
Strip length: 8.5 mm – 9.5 mm

Relay

Relay contacts: High inrush, single-pole, single-throw (SPST) latching relay

Isolation: 4 kV

Maximum load: 16 A

Number of devices: Quantity is limited by MCB: refer to the manufacturer's data

Mechanical data

Dimensions:

Housing: White plastic (Polycarbonate)

Weight: 52 g

IP code: IP30

Operating and storage conditions

Ambient Temp: 0 °C to 40 °C

Storage Temp: -10 °C to 70 °C

Relative Humidity: Max. 90 %, non-condensing

Conformity and standards

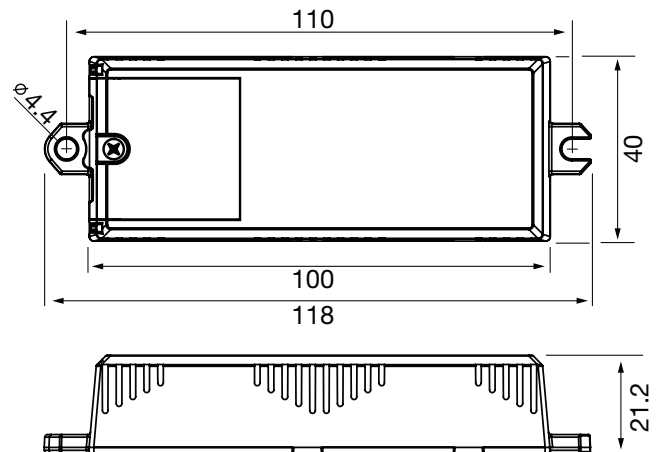
Emission: EN 55015

Immunity: EN 61547

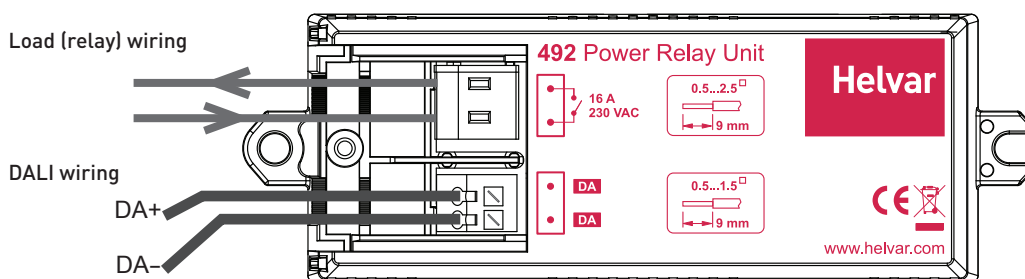
Safety: EN 60950

Environment: Complies with WEEE and ROHS Directives

Dimensions (mm)



Connections



Note:
The DA+ and DA- wires can go in either of the DALI connectors.