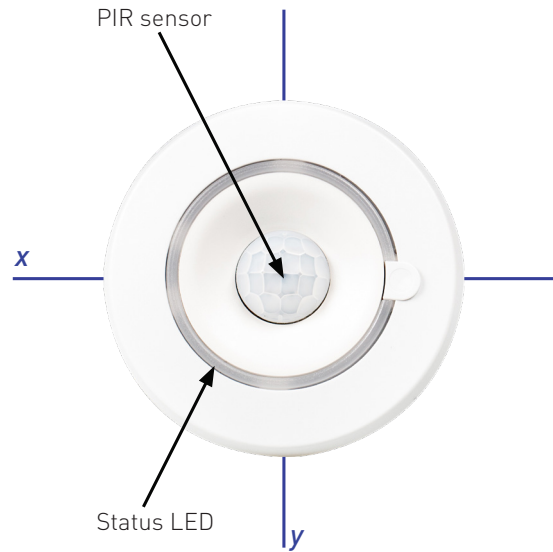


PIR Sensor (320, 320B, 320P, 30PB)

The PIR Sensor is a compact sensor that provides energy-saving functions in a DALI system. It can turn the lights on when its coverage area is occupied, and off when it is unoccupied. The sensor's settings are adjusted using Helvar's Designer or Toolbox software.

Due to its excellent detection performance, the PIR Sensor is especially suitable for applications where small or slow movements take place for extended periods of time, such as offices or classrooms. Since its detection sensitivity is less dependent on movement direction than that of most PIR sensors, fewer units are required to reliably cover a target area.

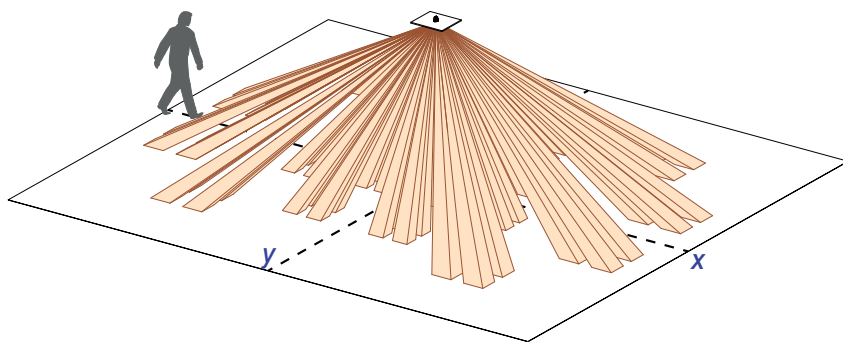
The unit can be mounted into a ceiling void or onto a solid surface using Helvar's SBB-C (white) or SBB-CB (black) mounting box (sold separately).



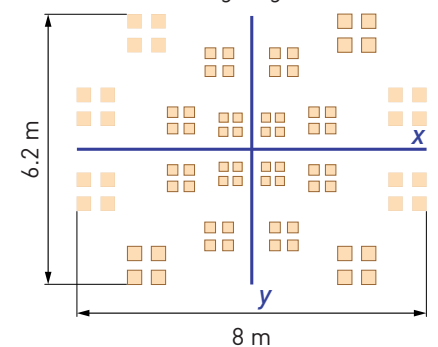
Key Features

- Excellent detection performance through high sensitivity and multidirectional coverage
- 10 mA DALI current consumption
- Compact and functional design
- Programmable in Designer and Toolbox

Presence Detection Coverage at 2.5 m Height



Detection pattern at floor level for 2.5 m mounting height



Technical Data

Connections

DALI:	Removable connector block
Wire section:	0.5 mm ² – 1.5 mm ² solid or stranded
Cable rating:	All cables must be mains rated.

Power

DALI supply input:	13 V – 22.5 V
DALI consumption:	10 mA

Sensors

Presence detector:	Passive infrared (PIR)
--------------------	------------------------

Mechanical data

Max. recommended mounting height:	4 m
Presence detection coverage area:	46 m ² @ 2.5 m mounting height
Mounting hole diameter:	52 mm – 55 mm
Bezel diameter:	66 mm
Recommended clearance depth:	10 cm (with cable cover, incl. 5 cm for cabling)
Material (casing):	Nonflammable PC/ABS (UL94-V0)
Finish/Colour:	320, 320P: Semi-matt / White RAL 9003 320B 320PB: Semi-matt / Anthracite grey RAL 7016
Weight:	66 g
IP code:	320, 320B: IP30 [IP20 cable cover] 320P, 320 PB: IP65

Operating and storage conditions

Ambient temperature:	0 °C to +50 °C
Relative humidity:	Max. 90 %, noncondensing
Storage temperature:	-10 °C to +70 °C

Conformity and standards

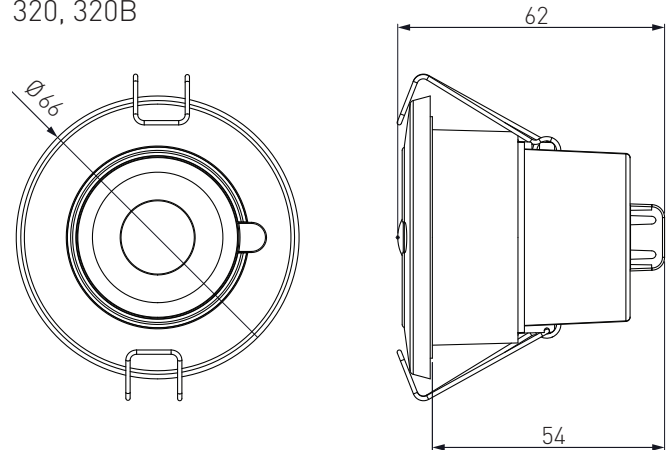
EMC emission:	EN 55015
EMC immunity:	EN 61547
Safety:	EN 61347-2-11
Environment:	Complies with WEEE and RoHS directives.

Software compatibility

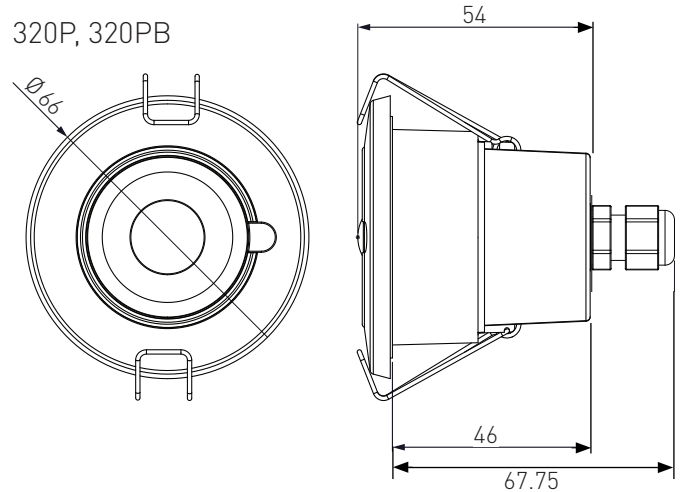
Designer:	5.4 or later
Toolbox:	2.4.2 or later

Dimensions (mm)

320, 320B



320P, 320PB



Connections

